

MAGIS

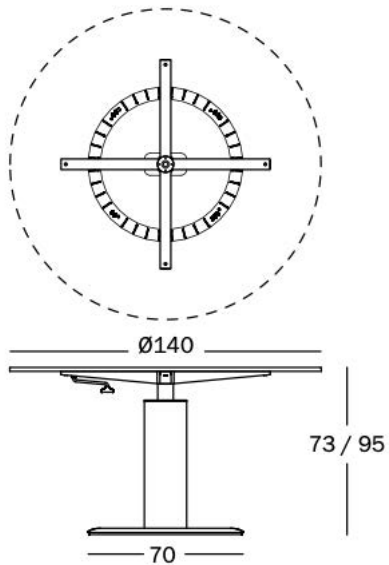
360° - Konstantin Grcic, 2010

Table.

Adjustable in height.

Material: base in die-cast aluminium, frame in aluminium, crosspiece in steel. Top in steel electro-galvanized and painted in polyester powder.

Note: Dimensions are in metric



CONTEXT

ENQUIRIES
info@contextgallery.com

Tel. 404. 477. 3301
Tel. 800. 886.0867

contextgallery.com