

TA14 ANTON
TISCH / TABLE
DESIGN: PHILIPP MAINZER, 2005

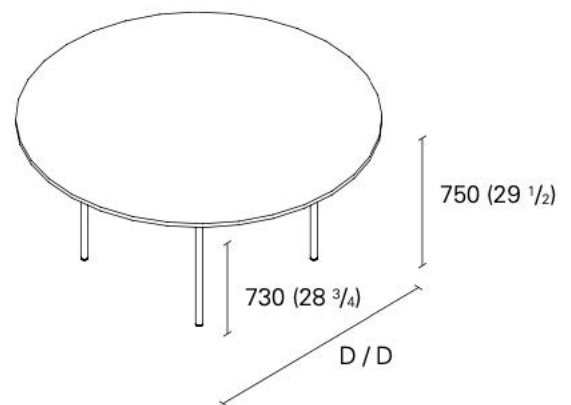
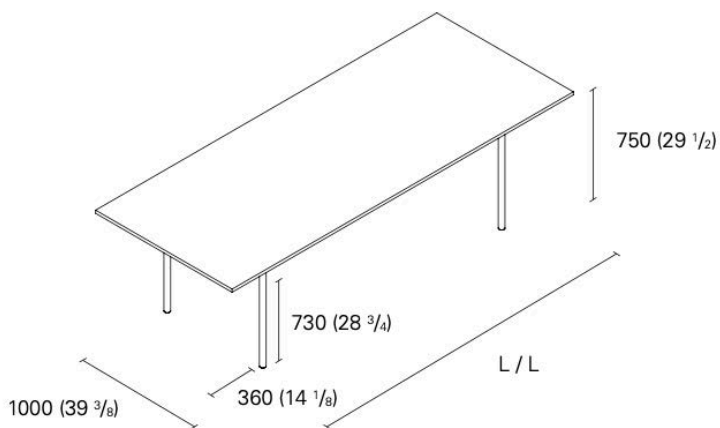


Regarding material and form, Philipp Mainzer's Anton table illustrates an uncompromising focus on the essentials. The table top has been constructed using eight solid wood planks and is only 20 MM (3/4 INCH) thick. The walnut tabletop consists of 11 planks. The legs have a diameter of 30 MM (1 1/8 INCH), are removable, and come in powder-coated or brushed stainless steel. The tabletop and frame come bolted together.

DIMENSIONS

l x w/d x h

53 1/8" x 53 1/8" x 29 1/2"
63" x 63" x 29 1/2"
78 3/4" x 39 3/8" x 29 1/2"
98 3/8 x 39 3/8" x 29 1/2"



CONTEXT

ENQUIRIES
info@contextgallery.com

Tel. 404. 477. 3301
Tel. 800. 886.0867

contextgallery.com