

Ayana

DESIGNED BY NAOTO FUKASAWA

Ayana's warm minimalism is completed with a chair, a dining table and a low table. The dining chair recalls the stylistic features of the other seats, for a perfect family feeling, with the structure in natural teak wood and two generously padded cushions covered in fabric.

Ayana is a project with a green soul. The teak used to make the structures is FSC certified (Forest Stewardship Council) and all the materials that make up the various elements of the series, at the end of the product's life cycle, can be separated and disposed of with respect for the environment.

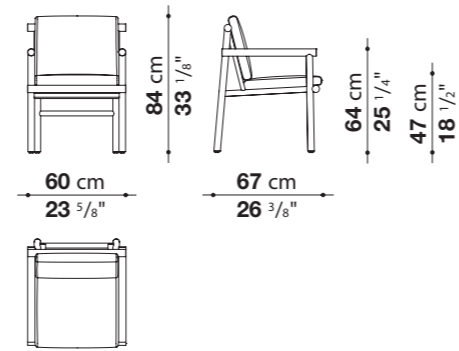


0456T
natural teakwood



Seat and
back cushions
Liri 830

AY58S



CONTEXT

ENQUIRIES
info@contextgallery.com

Tel. 404. 477. 3301
Tel. 800. 886.0867

contextgallery.com



Chair

Liri 830, natural teakwood

