

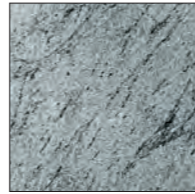
# Ayana

DESIGNED BY NAOTO FUKASAWA

The table stands out for its oval top in serpentine, a typical stone of the Alps. The supporting structure in natural teak appears light but is extremely robust, able to resist weather and support the heavy top. Ayana is a project with a green soul. The teak used to make the structures is FSC certified (Forest Stewardship Council) and all the materials that make up the various elements of the series, at the end of the product's life cycle, can be separated and disposed of with respect for the environment.

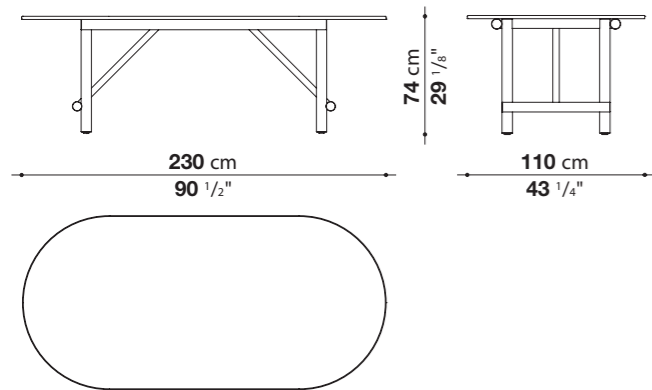


0456T  
natural teakwood



0408S  
Serpentine stone

TAY230



## CONTEXT

ENQUIRIES  
info@contextgallery.com

Tel. 404. 477. 3301  
Tel. 800. 886.0867

contextgallery.com

### Table

Natural teakwood,  
Serpentine stone

