

Ayana

DESIGNED BY NAOTO FUKASAWA

Minimalist and innovative, the Ayana collection becomes a new chapter in the story that connects B&B Italia to Naoto Fukasawa. It sees wood as the protagonist, interpreted in an unusual way, with a pleasant oriental touch.

If the depths and heights are a clear reference to the south-east Asian tradition, the backrest recalls a Swedish wall bar, an exercise equipment turned into a load-bearing element. Thanks to this solution, the elements of the Ayana collection can be enjoyed and appreciated at 360 degrees, discovering on each side a new elegant interplay of intersections and proportions. Two and three seat sofas and the armchair have armrests at different heights.

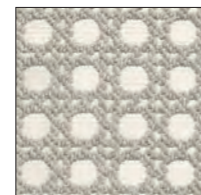
The armchair armrest is higher to guarantee a more ergonomic seat. The sofa armrest, which is lower, can be combined with a cushion that is easy to be fastened and removed, and helps to lie down more comfortably if necessary.

The upholstery of this collection stands out for the individual cushions, all covered with waterproof fabrics.

Ayana is a project with a green soul. The teak used to make the structures is FSC certified (Forest Stewardship Council) and all the materials that make up the various elements of the series, at the end of the product's life cycle, can be separated and disposed of with respect for the environment.



0456T
natural teakwood

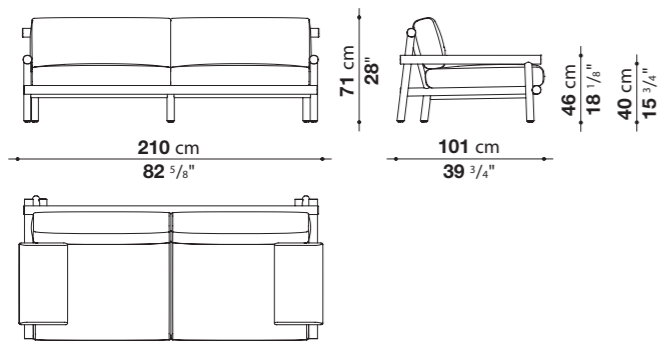


Seat and back
cushions
Linaria 207



Armrest cushions
Linaria 207

AY210



Sofa
Linaria 207, natural teakwood

CONTEXT

ENQUIRIES
info@contextgallery.com

Tel. 404. 477. 3301
Tel. 800. 886.0867

contextgallery.com

