

# Ayana

SOFAS

2020

Naoto Fukasawa

## CONTEXT

ENQUIRIES  
[info@contextgallery.com](mailto:info@contextgallery.com)

Tel. 404. 477. 3301  
Tel. 800. 886.0867

[contextgallery.com](http://contextgallery.com)



## Description

Innovative in its warm minimalism, the Ayana outdoor sofa, available in a two- and three-seater version, sees wood as the absolute protagonist. While the depths and heights are a clear reference to the south-east Asian tradition, the backrest recalls a Swedish wall bar, a piece of exercising equipment turned into a load-bearing element. Through this solution, creating an elegant interplay of intersections and proportions, the Ayana sofas can also be placed in the centre of the room. The sofa armrest can be combined with a cushion that is easy to fasten and remove and helps to lie down more comfortably if necessary. Ayana is a project with a green soul. The teakwood used for the frames is FSC® (Forest Stewardship Council) certified and all the materials that make up the various elements of the series are designed to be separated and disposed of in an environmentally friendly manner, at the end of the product's life cycle.

# Technical information

---

**Frame**

solid wood

**Upholstery**

shaped polyurethane of different density, cover in water repellent polyester fibre

**Ferrules**

thermoplastic material

**Waterproof cover cloth**

PES fabric coated on one side in PU

**Cover**

fabric in limited categories

## CONTEXT

ENQUIRIES

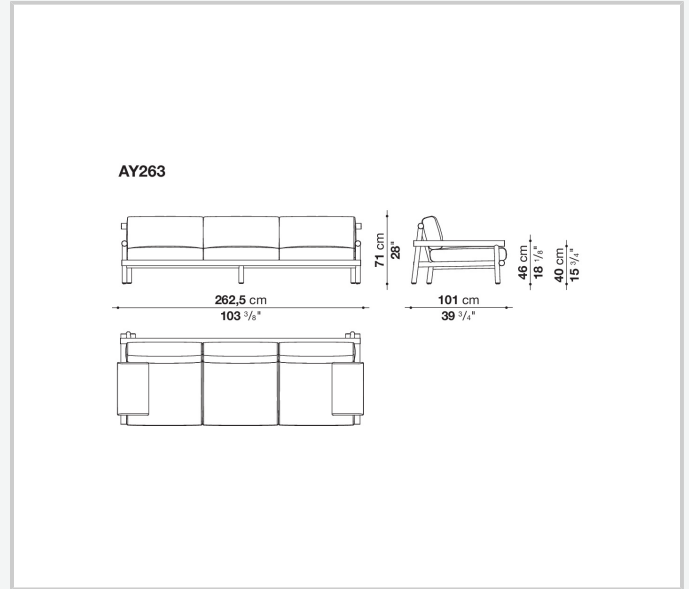
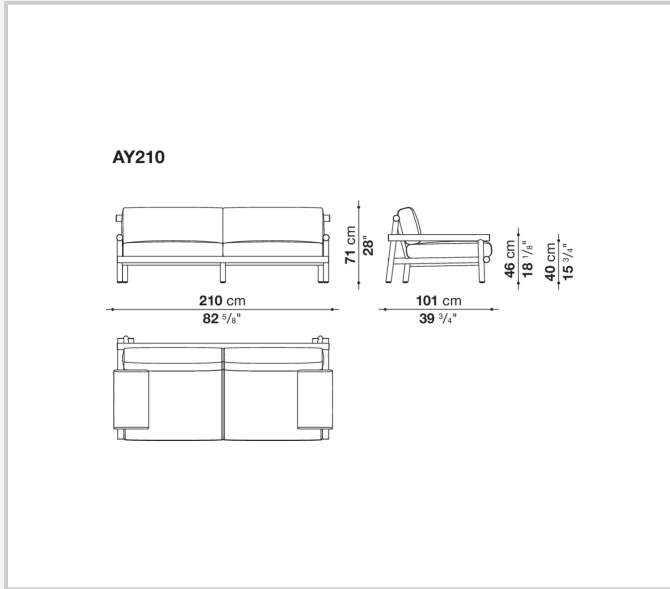
[info@contextgallery.com](mailto:info@contextgallery.com)

Tel. 404. 477. 3301

Tel. 800. 886.0867

[contextgallery.com](http://contextgallery.com)

# Technical drawings



## CONTEXT

ENQUIRIES  
info@contextgallery.com

Tel. 404. 477. 3301  
Tel. 800. 886.0867

contextgallery.com