

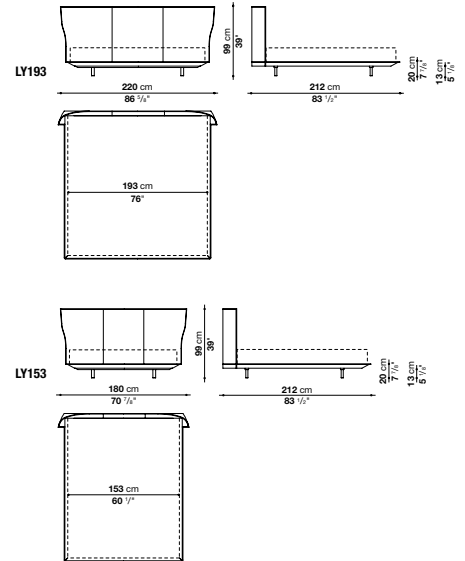
Alys

DESIGNED BY GABRIELE AND OSCAR BURATTI

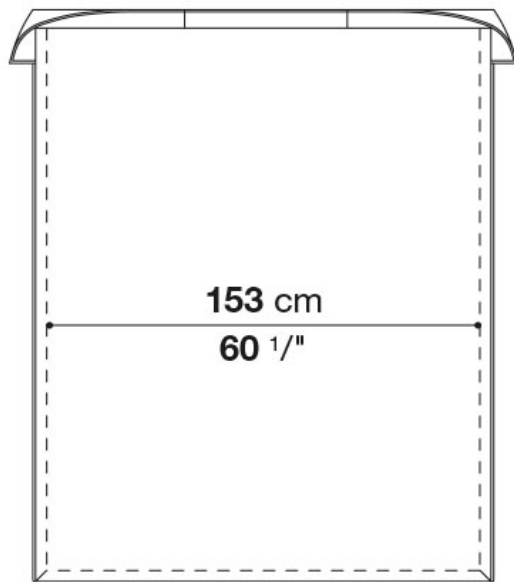
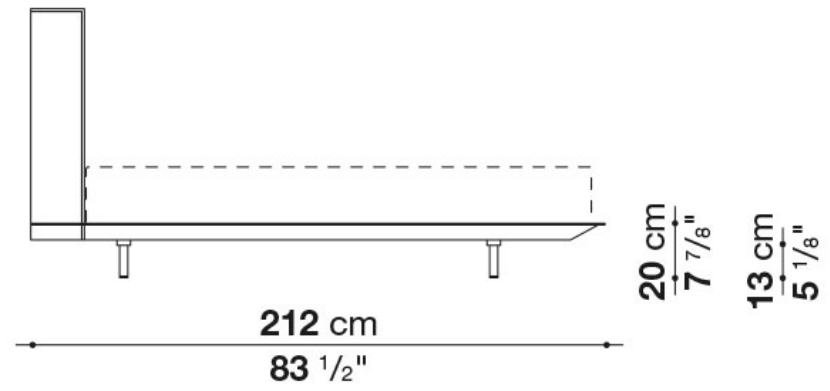
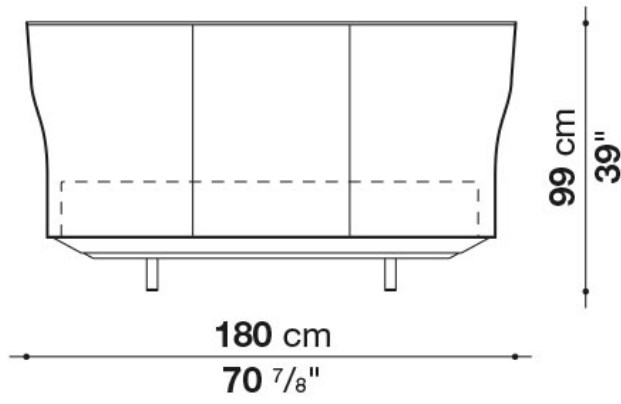
A sheet of leather “pinched” in two places at the base: here is where the movement and natural inclination of the headboard originate. It has a comfortable and protective shape with remarkable formal simplicity and very thin sides marked by a lengthwise seam. The bed surface, which can be adjusted to two heights, has an effect of suspension and floating of the super-comfortable mattress.



thick leather
tortora 280



LY153



LY193

