
Arne

SOFAS

Antonio Citterio



Description

Designed to create the setting for leisure activities, Arne stands out for the curved shape that envelops the user. It is an invitation to socialise and share moments together, to converse and watch television shows on a large screen. It has all the features of the protagonist designed to be centrally placed in the room and, even placed against a wall, it never loses its image of comfort and lightness conveyed by the aluminium supports on which both seat and backrest seem to be suspended.

Technical informations

Internal frame:

tubular steel and steel profiles

Internal frame upholstery:

Bayfit® (Bayer®) flexible cold shaped polyurethane foam, polyester fibre cover

Seat cushions upholstery:

shaped polyurethane, sterilized down, polyester fibre cover

Back cushion (A60_C):

upholstery : down feather + polyester fibre, typology : envelope style

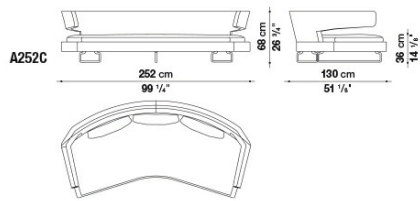
Support frame:

bright brushed die-cast aluminium and extrusions

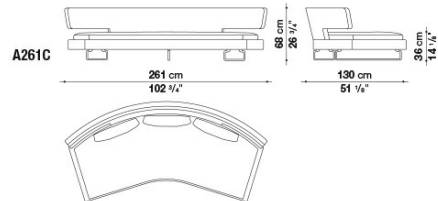
Cover:

fabric or leather

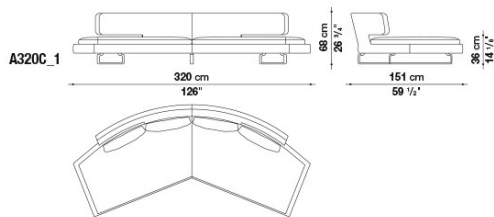
Technical drawings



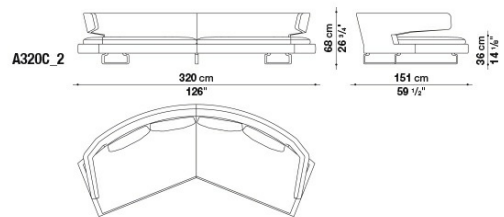
A252C



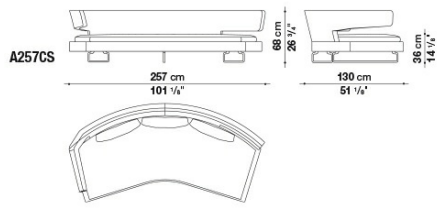
A261C



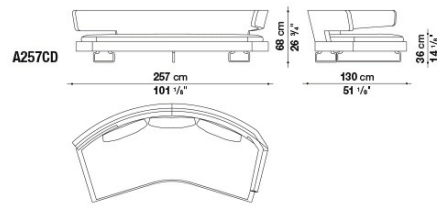
A320C_1



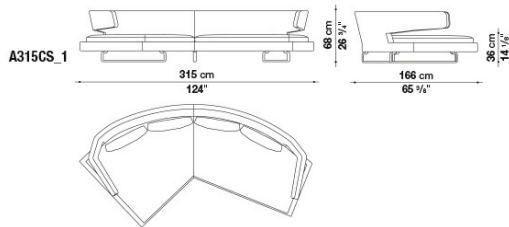
A320C_2



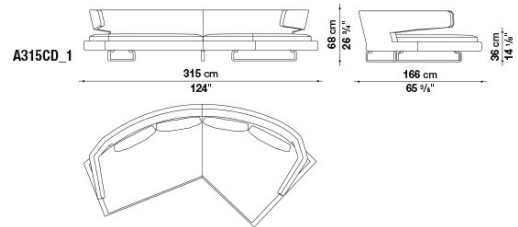
A257CS



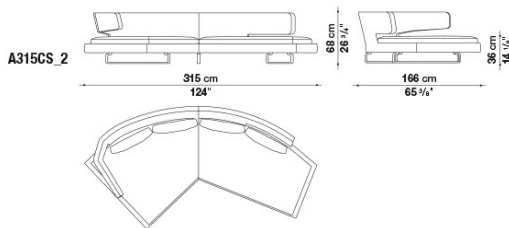
A257CD



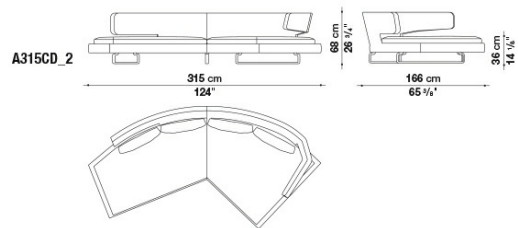
A315CS_1



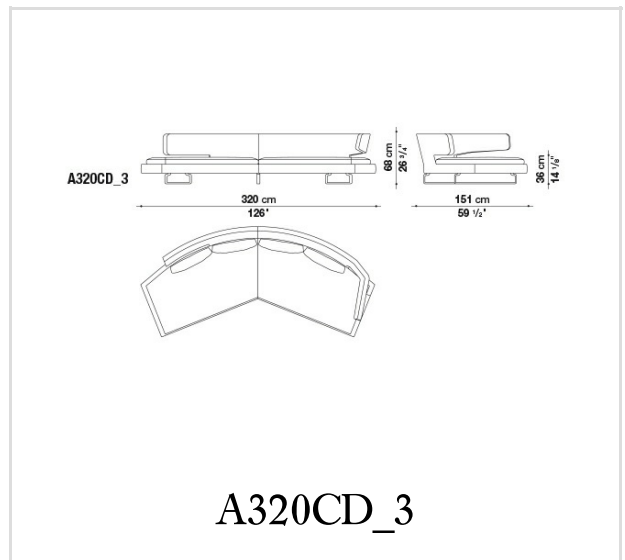
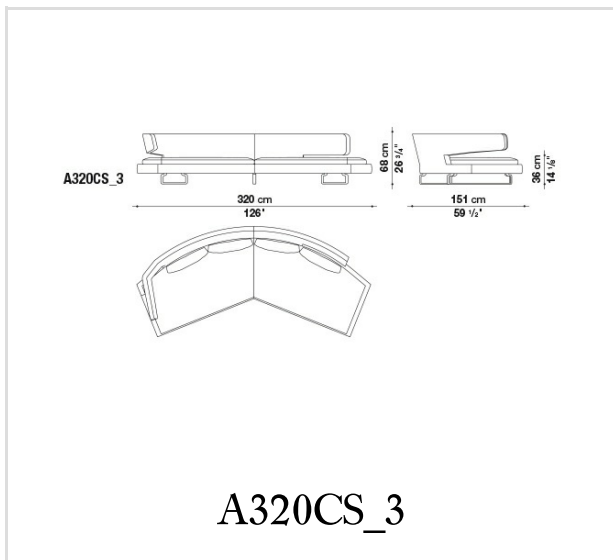
A315CD_1



A315CS_2



A315CD_2



B&B Italia reserves the right to make technological and aesthetic improvements to its models, including changes to the sizes and materials, without notice. The technical drawings do not define the details of the product. The measurements shown are indicative and may undergo changes. In particular, the dimensions relevant to the padded parts are subject to usage tolerances over time caused by the normal adjustment of the padding. For the specific information, please contact the dealer closest to you.