

Backstage - Backstage '18

NIGHT STORAGE UNITS

2013

Antonio Citterio

CONTEXT

ENQUIRIES
info@contextgallery.com
Tel. 404. 477. 3301
Tel. 800. 886.0867
contextgallery.com



Description

An innovative wardrobe system with a sophisticated personality, Backstage stands out for the use of precious materials, exclusive finishes details, and the wide range of versions available. The door opening system, inspired by contemporary architecture, offers a revolutionary solution: the innovative mechanism developed by B&B Italia opens the full height doors with simultaneous rotation and translation (roto-translation) that ensures reduced bulk and better accessibility to internal compartments. Backstage also proposes an exclusive choice of accessories and fittings that underscore expert craftsmanship and the quality and purity of materials. Highly aesthetic and functional, the boiserie effect of the surfaces allows Backstage to adapt to various spaces, and not only into the bedroom.

Technical information

Side, top, back structure, wardrobe base and internal boiserie panel of the walk-in wardrobe

melamine faced panel in refined wood particles

Skirting frame structure

metal profiles

Swinging-sliding door/Pocket door

honeycomb panel with double tensioner doors inserted inside the frame

Hinged door, closing panel, finish side, boiserie pane

panel in wood particles

Upright

extruded aluminium

Opening mechanism and profiles

extruded aluminium and steel

Shelf

panel in refined wood particles, melamine-faced or lacquered or covered in bonded leather

Drawer structure

panel in wood particles, lacquered wood fibre panel, drawers mounted on total extraction runners with shock absorbers, trinket tray top with insert in bonded leather

Drawer handle

aluminium with insert in bonded leather

Walk-in wardrobe container structure

panel in wood particles

Walk-in wardrobe container hinged door

panel in refined wood particles, lacquered or covered in bonded leather

Clothes rail

extruded aluminium with supports in die-cast Zamak

Hanger holder

shell in plastic and hook in metal

Grid for shirts

panel in wood particles

Internal drawer spacers

bonded leather

Structure with extractable tray

top in tempered smoky glass, HPL stratified laminate panel with aluminium drawer with melamine bottom

Internal divider extractable tray/Accessorised tray

solid wood covered in bonded leather

Internal tray for drawers

multi-layered wood covered in bonded leather

Belt holder

HPL stratified laminate covered in bonded leather and hooks in aluminium

Trinket tray

HPL stratified laminate and wood fibre panel covered in bonded leather

Jewellery box

solid wood and wood fibre panel with ring compartment in bonded leather

Adjustable mirror

extruded aluminium with wood particle panel melamine and natural mirror with safety film

Fixed mirror

extruded aluminium and natural mirror with safety film

Various accessories

beech

LED lighting system

Strip LED 24V DC 4000K

EU/US power supply unit

input voltage 110V-120V/220V-240V 50Hz, output voltage 24V DC, maximum wattage 60W/120W

Proximity sensor switch radio-controlled from a central unit

voltage 24V 50HZ

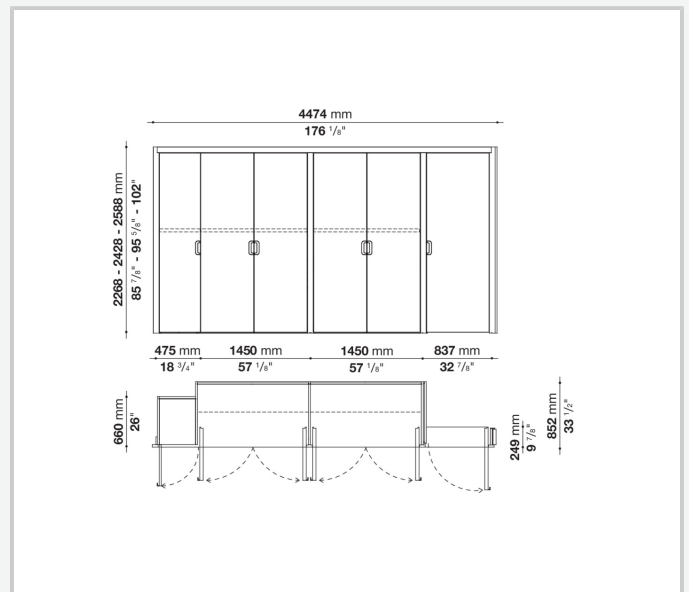
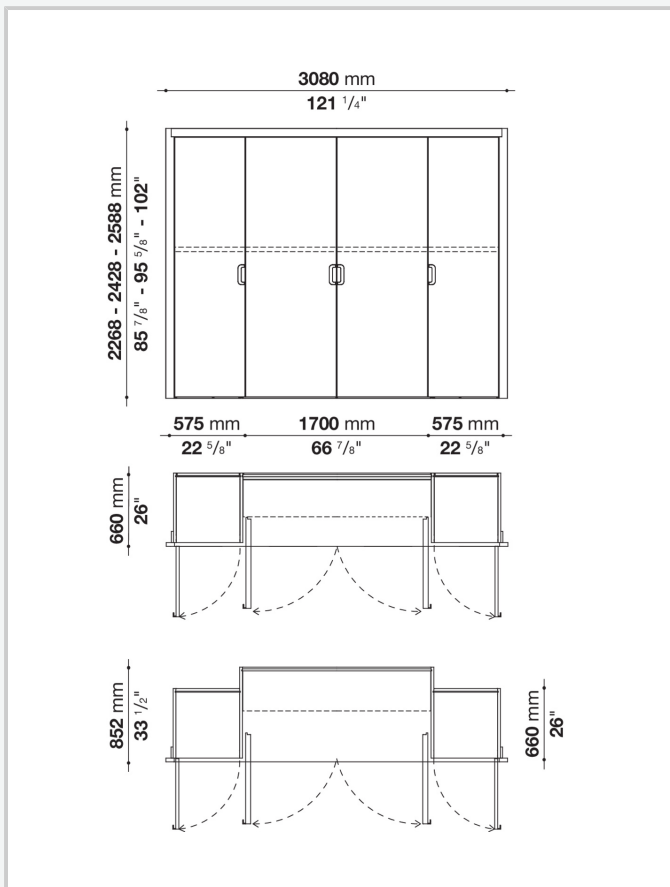
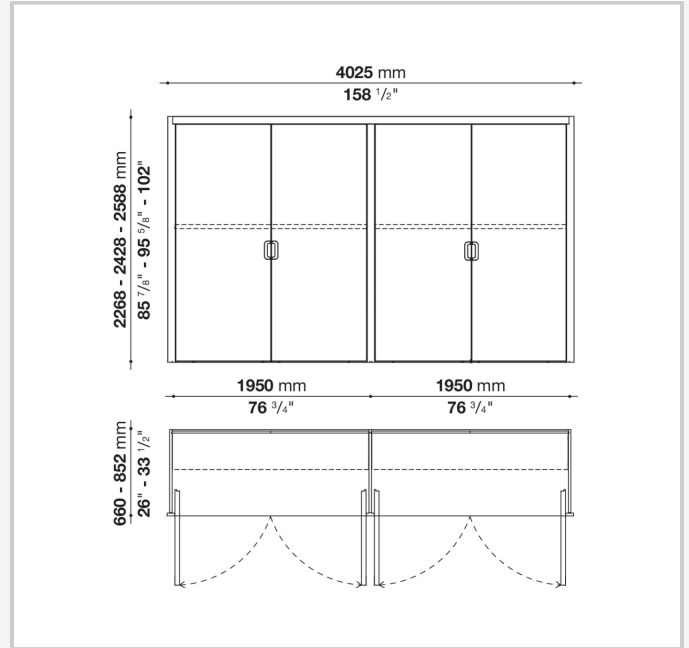
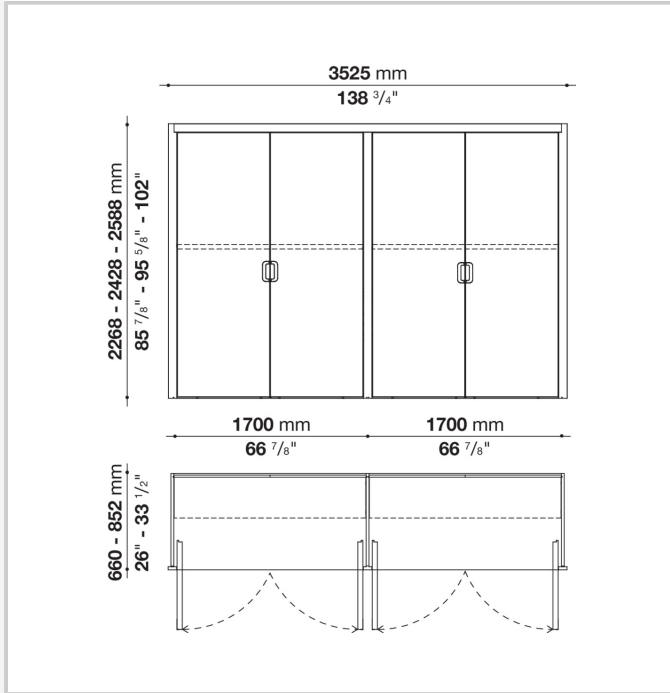
CONTEXT

ENQUIRIES
info@contextgallery.com

Tel. 404. 477.3301
Tel. 800. 886.0867

contextgallery.com

Technical drawings

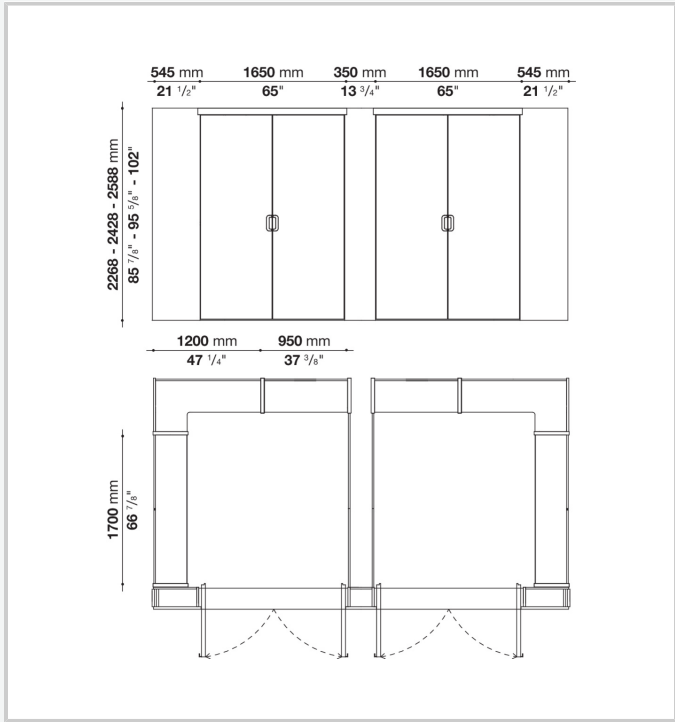
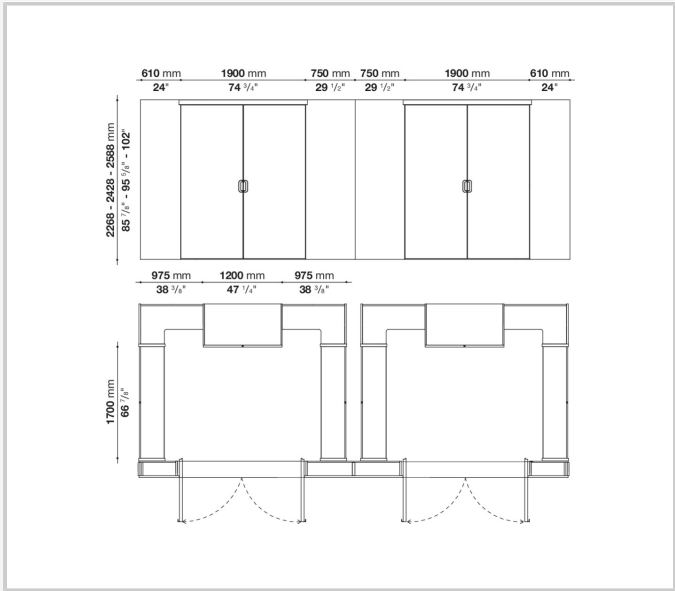


CONTEXT

ENQUIRIES
info@contextgallery.com

Tel. 404. 477. 3301
Tel. 800. 886. 0867

contextgallery.com

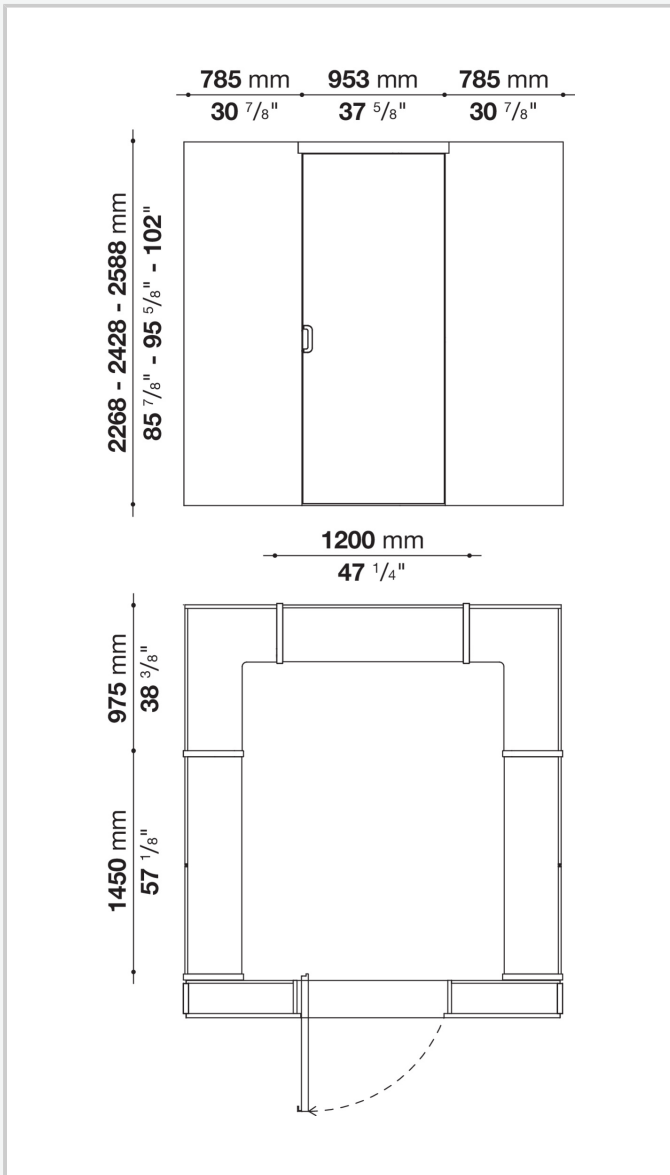


CONTEXT

ENQUIRIES
info@contextgallery.com

Tel. 404. 477. 3301
 Tel. 800. 886. 0867

contextgallery.com



CONTEXT

ENQUIRIES
info@contextgallery.com

Tel. 404. 477. 3301
 Tel. 800. 886.0867