

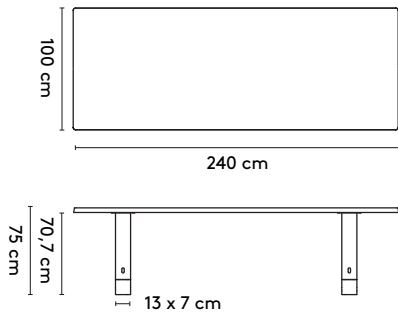
1 **Base**

**Jorre  
van Ast**

2013 - 2016

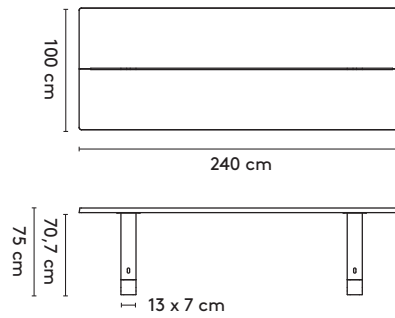
2a **Standard**

Base 1 rectangular (thickened 2x20 mm)



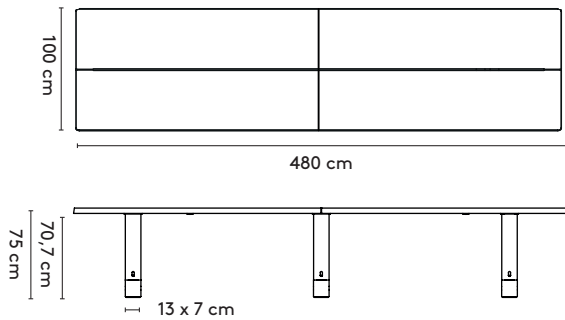
- 240 x 100 x 75 cm (between legs 170 cm)
- 280 x 100/120 x 75 cm (between legs 210 cm)
- 320 x 105/120 x 75 cm (between legs 250 cm)
- 360 x 105/120 x 75 cm (between legs 230 cm)

Base 2 rectangular (solid)



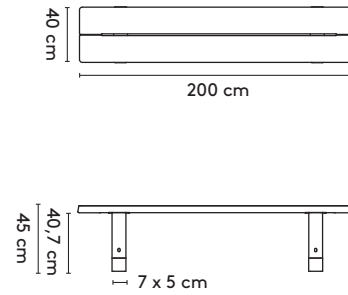
- 240 x 100 x 75 cm (between legs 170/150/130/110 cm)
- 280 x 100/120 x 75 cm (between legs 210/190/170/150 cm)
- 320 x 105/120 x 75 cm (between legs 250/230/210/190 cm)
- 360 x 105/120 x 75 cm (between legs 230 cm)

Base 2 rectangular connected



- 480 x 100 x 75 cm (between legs 192/182/172/162 cm)
- 560 x 100 x 75 cm (between legs 232/222/212/202 cm)
- 560 x 120 x 75 cm (between legs 232/222/212/202 cm)

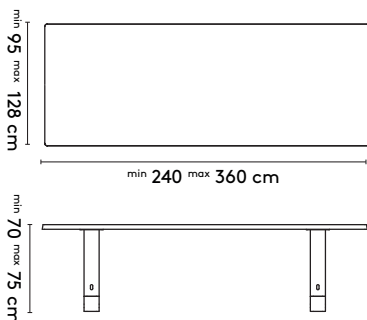
Base bench



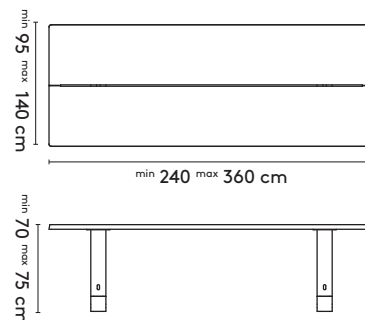
- 200 x 40 x 45 cm
- 240 x 40 x 45 cm
- 280 x 40 x 45 cm
- 320 x 40 x 45 cm

2b **Tailoring**

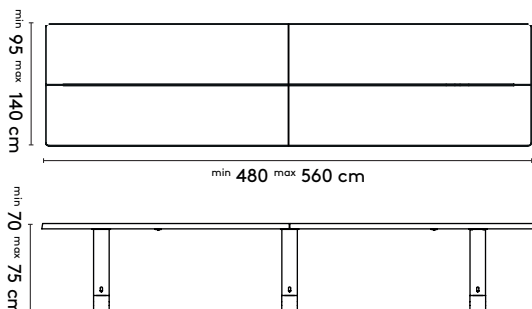
Base rectangular 1 (thickened)



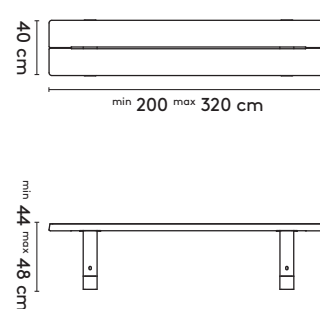
Base rectangular 2 (solid)



Base rectangular 2 connected



Base bench



product

designer

year

# 1 Base

# Jorre van Ast

# 2013 - 2016

## 3 Materials

**Top:** oak (solid, local wood), oak smoked (solid)  
**Legs:** oak (solid, local wood), oak smoked (solid)  
**Base:** concrete (natural, color laquer)

## Materialen

**Blad:** eiken (massief, lokaal hout), eiken gerookt (massief)  
**Onderstel:** eiken (massief, lokaal hout), eiken gerookt (massief)  
**Voet:** beton (natural, kleurlak)

## Materialien

**Platte:** Eiche (Massiv, lokales Holz), Eiche geräuchert (Massiv)  
**Untergestell:** Eiche (Massiv, lokales Holz), Eiche geräuchert (Massiv)  
**Fuss:** Beton (natural, farblack)

## 4 Finishes

All Arco colors and finishes for the mentioned materials

## Afwerkingen

Alle Arco kleuren en (lak)afwerkingen voor de genoemde materialen

## Ausführungen

Alle Arco Farben und Ausführungen für die genannten Materialien

## 5 Additional information

Legs can be mounted at 22, 32, 42 or 52 cm from the short side of the table.  
 Legs can be mounted at 52 cm only for size 360 cm

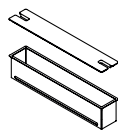
## Aanvullende informatie

Onderstel kan worden gemonteerd op 22, 32, 42 of 52 cm van de korte zijde van de tafel  
 Onderstel kan bij 360 cm alleen op 52 cm worden gemonteerd

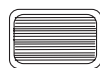
## Weitere Informationen

Untergestell kann auf 22, 32, 42 oder 52 cm der kurze Seite des Tisches montiert werden  
 Untergestell kann bei 360 cm nur auf 52 cm montiert werden

## 6 Cable management



CM06/CM07 epoxy 30/50 cm



CM08/CM09 cable-net small/large



CM12 cable sock large



CM13 zipper sock