
Athos '12

TABLES

2012

Paolo Piva

CONTEXT

ENQUIRIES
info@contextgallery.com
Tel. 404.477.3301
Tel. 800.886.0867
contextgallery.com



Description

The Athos '12 rectangular table comes in two lengths, in both a fixed and an extensible version, the latter being characterised by an invisible mechanism that allows it to be lengthened so as to accommodate up to twelve people. The V-shaped metal frame supports a thick top softened by rounded edges obtained by means of a complex milling process that enables the wood grain to remain even throughout the entire surface.

Technical information

Top

veneered wood particles panel

Support frame

drawn steel

Frame (fixed tables)

steel sheet

Frame (extensible tables)

anodized aluminium extrusions, plastic material tools

Ferrules

thermoplastic material

CONTEXT

ENQUIRIES

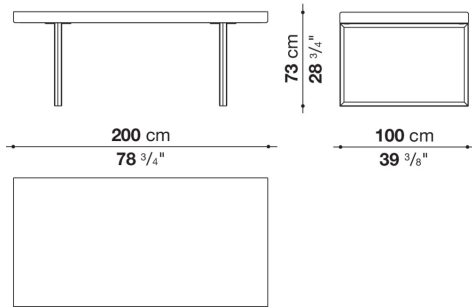
info@contextgallery.com

Tel. 404. 477. 3301

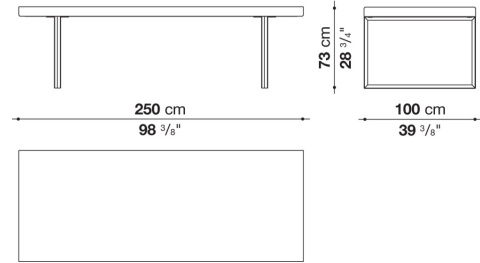
Tel. 800. 886.0867

Technical drawings

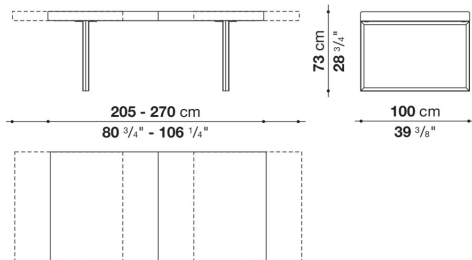
TAH200F



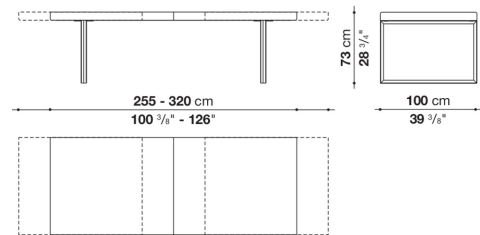
TAH250F



TAH205A



TAH255A



CONTEXT

ENQUIRIES
info@contextgallery.com

Tel. 404. 477. 3301
Tel. 800. 886.0867