
Awa

SMALL TABLES

Naoto Fukasawa



Description

Elegantly asymmetrical table designed to be placed next to the sofa or the bed. The plastic shape exploits the properties of Cristalplant[®], a refined and sensual material with a soft touch surface that is also strong and extremely practical.

CONTEXT

30/01/2019 - 1/3

ENQUIRIES
info@contextgallery.com

Tel. 404. 477. 3301
Tel. 800. 886.0867

contextgallery.com

Technical information

Frame:

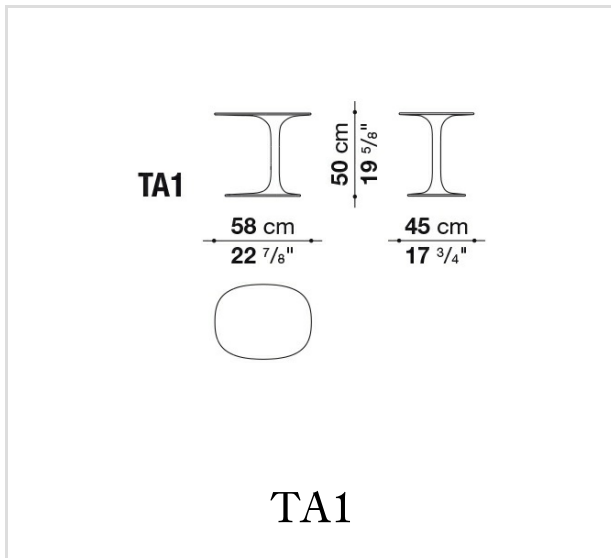
white Cristalplant Outdoor® (natural mineral filler of phosphate of aluminium with polyester acrylate resin)

Ferrules:

thermoplastic material

CONTEXT

Technical drawings



B&B Italia reserves the right to make technological and aesthetic improvements to its models, including changes to the sizes and materials, without notice. The technical drawings do not define the details of the product. The measurements shown are indicative and may undergo changes. In particular, the dimensions relevant to the padded parts are subject to usage tolerances over time caused by the normal adjustment of the padding. For the specific information, please contact the dealer closest to you.

CONTEXT