
Button Tables

SMALL TABLES

2014

Edward Barber & Jay Osgerby

CONTEXT

ENQUIRIES
info@contextgallery.com

Tel. 404.477.3301
Tel. 800.886.0867

contextgallery.com



Description

Multipurpose tables with lacquered cylindrical bases that taper in slightly at the bottom smoothing out their geometry. There are two oval variants accompanied by a third with a round shape. All have a marble top with a raised edge resembling a tray. A formal exercise is created through the combination of different materials, the contrast between the hardness of marble, soft design and minimal details giving the illusion of imperceptible movements of form.

Technical information

Top

marble (matt polyester finish)

Frame

polyethylene tubular

Brace

steel

Base-frame

laminated MDF wood fibre panel

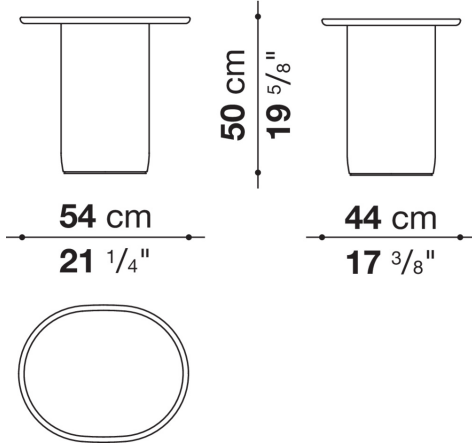
CONTEXT

ENQUIRIES
info@contextgallery.com

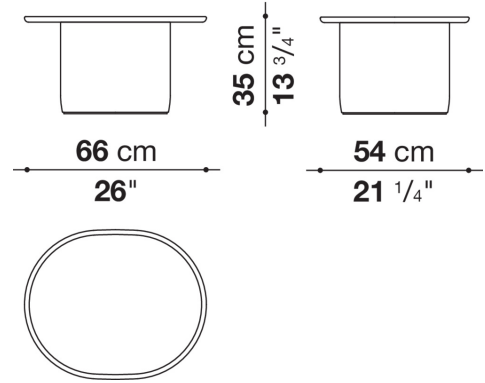
Tel. 404. 477. 3301
Tel. 800. 886. 0867

Technical drawings

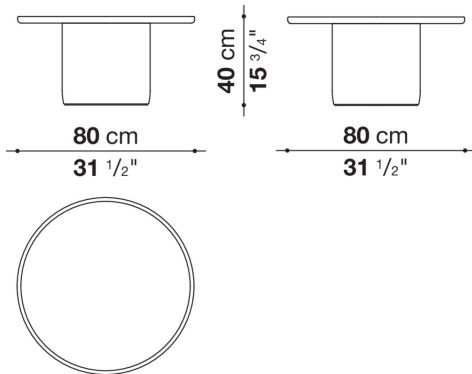
TB54



TB66



TB80R



CONTEXT

ENQUIRIES
info@contextgallery.com

Tel. 404. 477. 3301
Tel. 800. 886.0867