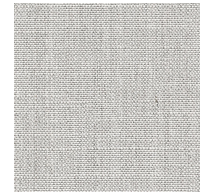


Canasta'13

DESIGNED BY PATRICIA URQIOLA

Canasta '13 is given a tortora melange makeover with the new polyethylene fibre, creating an interlacing that evokes the Crinoline collection.

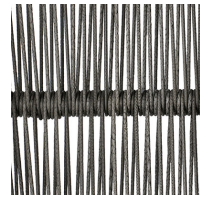
Comes with:
three 25 5/8" x 25 5/8" cushions
two 18 7/8" x 18 7/8" cushions
one 21 5/8" x 15 3/4" cushion
as shown below



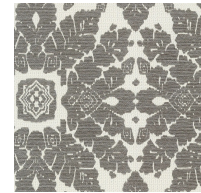
Seat cushion:
Scirocco 253



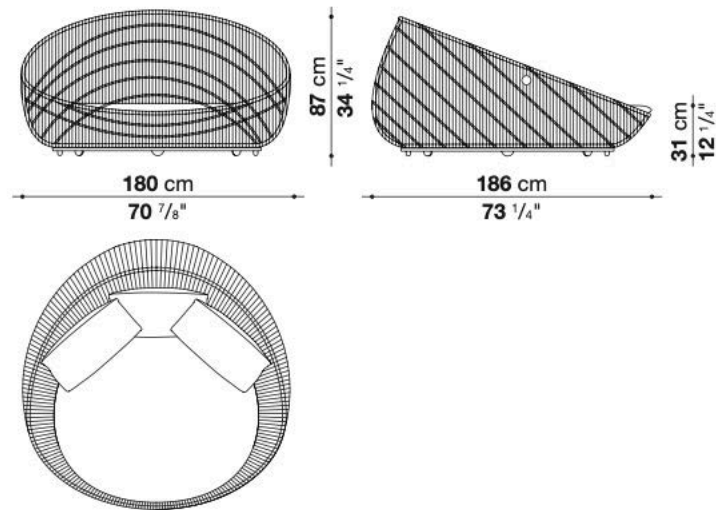
Large & medium
back cushions:
Lipari 407



Interlacing:
Tortora



Small cushions:
Lipari 911



Round sofa
(waterproof cover included)



CONTEXT GALLERY

ENQUIRIES
info@contextgallery.com
Tel. 404. 477. 3301
Tel. 800. 886.0867
contextgallery.com

