

Canasta '13

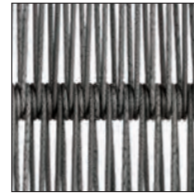
DESIGNED BY PATRICIA URQUIOLA

Canasta '13 is given a tortora melange makeover with the new polyethylene fibre, creating an interlacing that evokes the Crinoline collection.

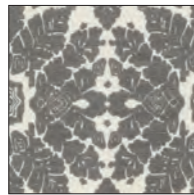
Comes with:
three 25 ⁵/₈" x 25 ⁵/₈" cushions
two 18 ⁷/₈" x 18 ⁷/₈" cushions
one 21 ⁵/₈" x 15 ³/₄" cushion



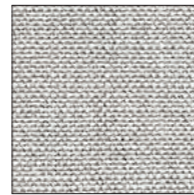
Large and middle
back cushions
Lipari 407



Interlacing:
Tortora



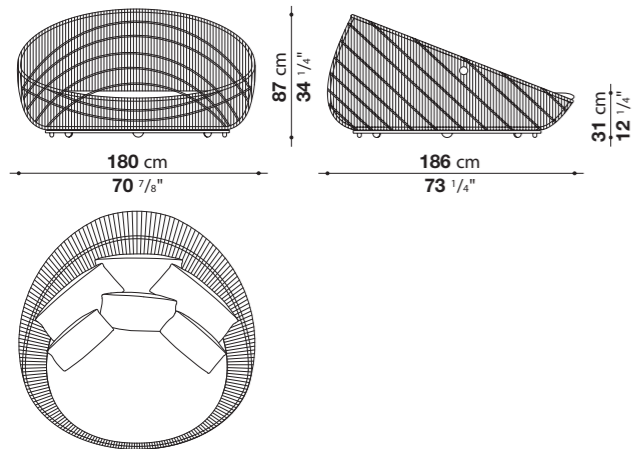
Rectangular
back cushions
Lipari 911



Seat cushion
Scirocco 253

CONTEXT

CNC160P1



ENQUIRIES
info@contextgallery.com
Tel. 404. 477. 3301
Tel. 800. 886.0867
contextgallery.com



Lounge

Tortora interlacing, Scirocco 253,
Lipari 911 & Lipari 407

