
Canasta '13

SOFAS

2013

Patricia Urquiola

CONTEXT

ENQUIRIES
info@contextgallery.com

Tel. 404. 477. 3301
Tel. 800. 886.0867

contextgallery.com



Description

Canasta '13 is a family of seats that preserves the iconic design of the Canasta series while donning a new look to blend even more with the external environment. The sofas and armchairs making up the series are characterised by a light interlacing of mélange polyethylene yarn which lets the light shine through. Particularly striking is the oversized circular sofa, which can be equipped with a 360° swivel base and a light foldable hood that reduces the passage of sunrays by up to 92%. The collection is available in a wide variety of textile covers.

Technical information

Frame

aluminium or steel with polyester powder painting

Interlacing

polyethylene fibre

Seat cushion (CNC190B-CNC226B)

shaped polyurethane, cover in water repellent polyester fibre (with heat-sealed ribbon)

Seat cushion (CNC160P1)

shaped polyurethane, cover in water repellent polyester fibre

Back cushion

polyester fibre, cover in water repellent polyester fibre

Canopy frame (CNC160P1C)

glass fibre

Canopy mechanism (CNC160P1C)

electro polished steel, anodized aluminium

Canopy cover (CNC160P1C)

Balivo fabric

Wheels and ferrules

thermoplastic material

Waterproof cover cloth

PES fabric coated on one side in PU

Cover

fabric in limited categories

CONTEXT

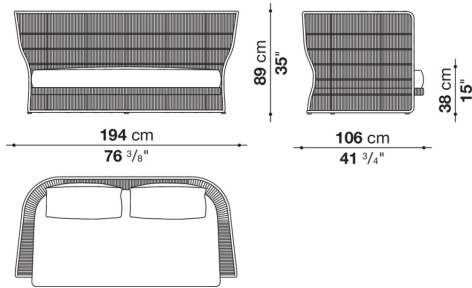
ENQUIRIES
info@contextgallery.com

Tel. 404. 477. 3301
Tel. 800. 886.0867

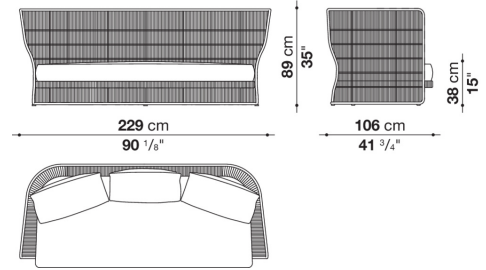
contextgallery.com

Technical drawings

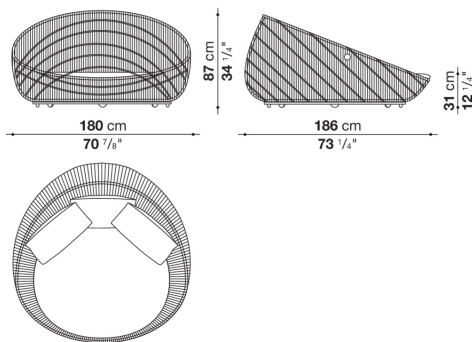
CNC190B



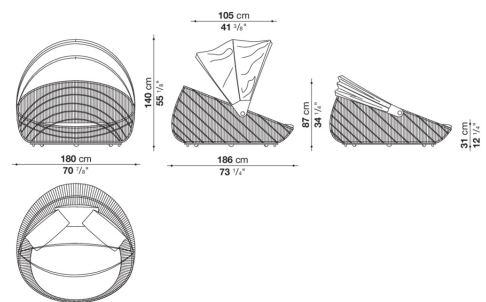
CNC226B



CNC160P1



**CNC160P1
CNC160P1C**



CONTEXT

ENQUIRIES
info@contextgallery.com

Tel. 404. 477. 3301
Tel. 800. 886.0867

contextgallery.com