

# Eileen

SMALL TABLES

2003

Antonio Citterio

**CONTEXT**

ENQUIRIES  
info@contextgallery.com  
Tel. 404.477.3301  
Tel. 800.886.0867  
contextgallery.com



## Description

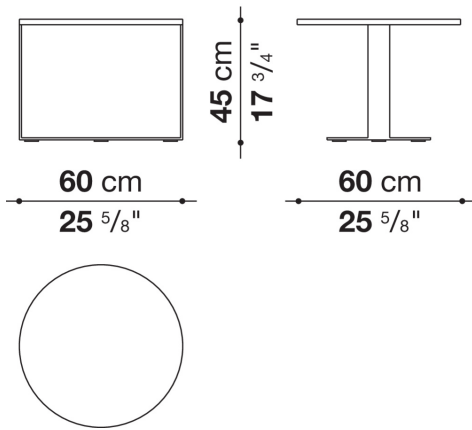
Multipurpose tables with one or two tops in different heights and a sophisticated playful spirit depending on the finishes. There are many graphically powerful combinations of surfaces and frames: marble, wood, glass and lacquer for the former, chrome and varnish, even coloured, for the latter. Various interpretations make them the ideal choice for several settings that can be either rigorous or dynamic.

## Technical information

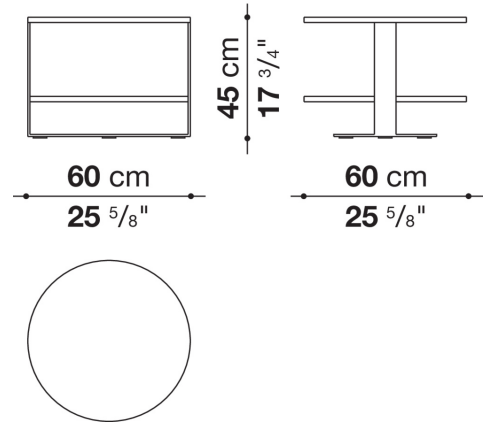
**Top**  
veneered MDF wood fibre panel, glass on MDF wood fibre panel, marble (glossy polyester finish or matt polyester finish)  
**Support**  
frame drawn steel

# Technical drawings

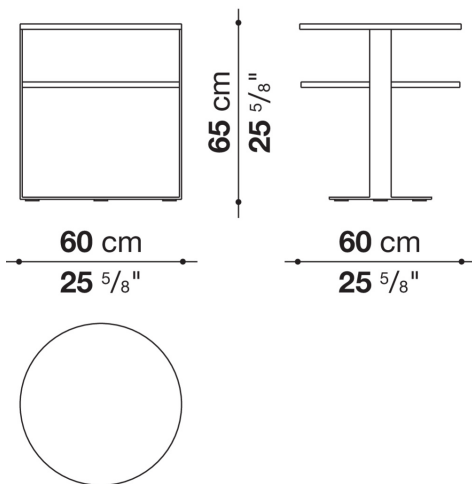
## TER60B



## TER60B\_2



## TER60A\_2



## CONTEXT

ENQUIRIES  
info@contextgallery.com

Tel. 404. 477. 3301  
Tel. 800. 886.0867