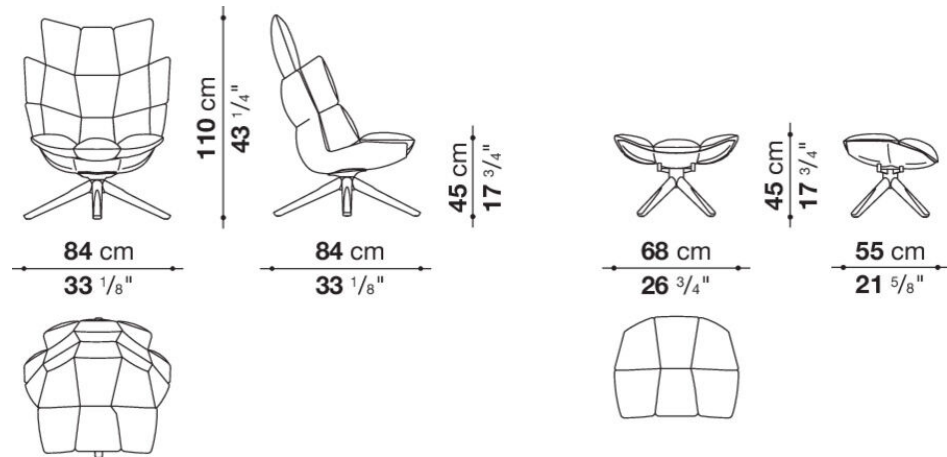


Husk

DESIGNED BY PATRICIA URQUIOLA

"Those who look at a sofa must visually perceive a sense of both mental and physical comfort." Patricia Urquiola has conveyed this concept to the armchair Husk by designing a stiff body made of Hirek® that contains a soft cushion divided into portions, which seem to underscore its ergonomic profile. It is endowed with an original spirit that merges with various styles. Three cushion types: standard, which is large and enveloping, or headrest. With or without an ottoman as footrest.



Husk
Armchair & Ottoman

CONTEXT GALLERY

ENQUIRIES
info@contextgallery.com
Tel. 404-477-3301
Tel. 800-886-0867
contextgallery.com

