

Siena

BEDS

2007

Naoto Fukasawa

CONTEXT

ENQUIRIES
info@contextgallery.com
Tel. 404. 477. 3301
Tel. 800. 886.0867
contextgallery.com



Description

From the very first glance the Siena bed's airy image is striking with the projecting base that defines the entire perimeter of the bed and which, at the back, becomes a convenient surface to place books and accessories. The backrest is inclined to offer an ideal relaxing position. Impressive from behind, it can even be placed at the centre of the room.

Technical information

Internal frame

tubular steel and steel profiles

Internal frame upholstery

Bayfit® flexible cold shaped polyurethane foam, polyester fibre cover

Base-frame

tubular steel

Wheels support frame

steel

Slatted base

tubular steel and wood multi-layered slats

Ferrules

thermoplastic material

Wheels

plastic material

Cover

fabric or leather

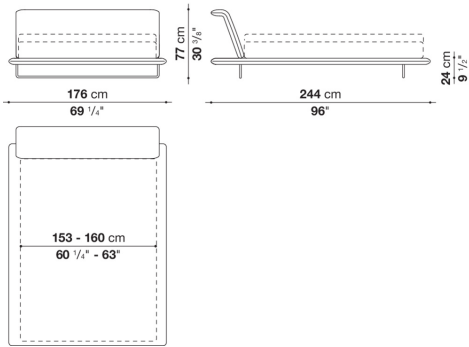
CONTEXT

ENQUIRIES
info@contextgallery.com

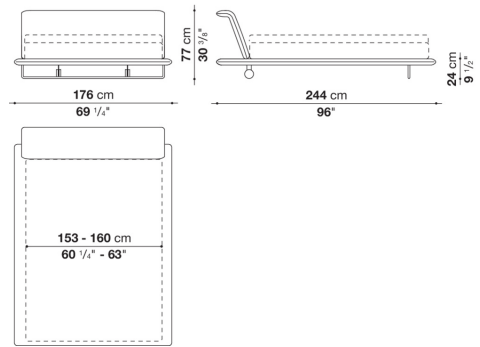
Tel. 404. 477. 3301
Tel. 800. 886.0867

Technical drawings

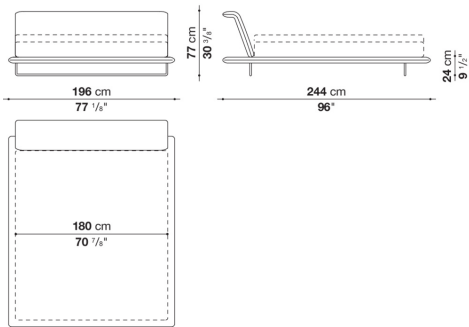
LSI176



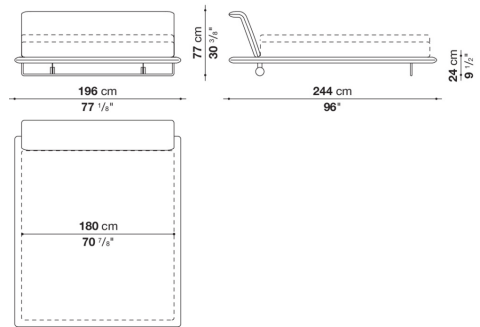
LSI176W



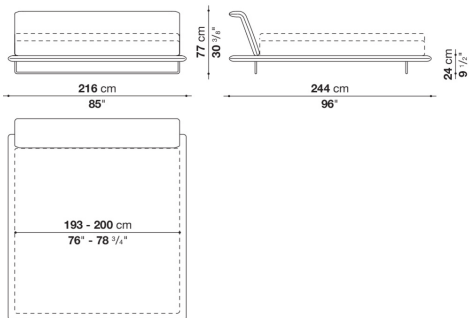
LSI196



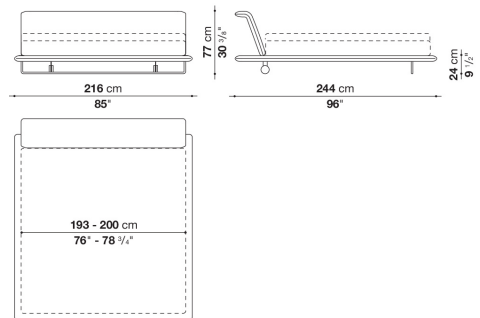
LSI196W



LSI216



LSI216W



CONTEXT

CONTEXT

ENQUIRIES
info@contextgallery.com

Tel. 404. 477. 3301
Tel. 800. 886. 0867