

Bend-Sofa

DESIGNED BY PATRICIA URQUIOLA

It seems shaped by an artist but actually derives from a study of 3D models and digital research. It seems a monolith that has been shaped by subtraction, rounded and moulded by the designer.

The irregular shape enhances comfort, the contrasting seams define the design and movement. Bend-Sofa combines manual skills and technology, solidity and strength, along with considerable flexibility in terms of use ensured by the extensive range of models.

Comes with:

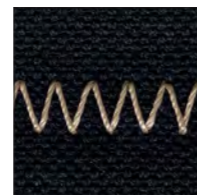
- one BSB - Bend Armrest Support
- one B40C - Bend Cushion 24" x 15 3/4"
- one B55C - Bend Cushion 24" x 21 1/2"



Edit 253

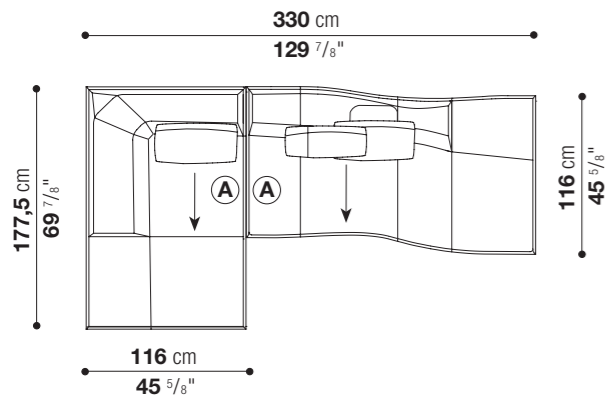


Stitch colour
Blulette 1035

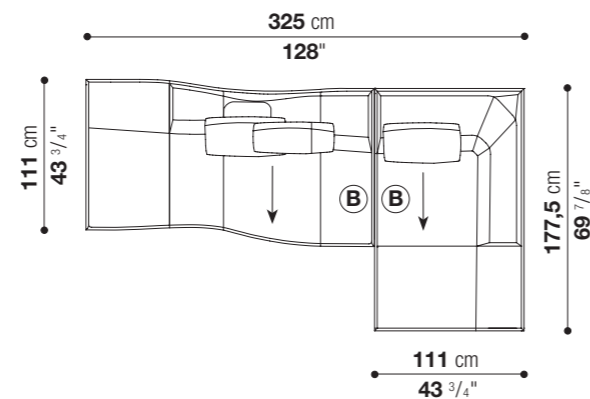


Zig Zag stitch

B177LS + B214CS



B177LD + B214CD



CONTEXT

ENQUIRIES
info@contextgallery.com

Tel. 404. 477. 3301
Tel. 800. 886.0867

contextgallery.com
contextcontract.com

