

Beverly '14

ARMCHAIRS

2014

Antonio Citterio

CONTEXT

ENQUIRIES
info@contextgallery.com
Tel. 404. 477. 3301
Tel. 800. 886.0867
contextgallery.com



Description

Beverly '14 by Antonio Citterio is an extremely elegant armchair of a balanced modernity that enables it to interact with diverse styles and settings. The treatment and processing of materials are reserved for those important pieces, carefully detailed with the power to emphasize its light and comfortable design.

Technical information

Support frame

die-cast aluminium

Tools

stainless steel

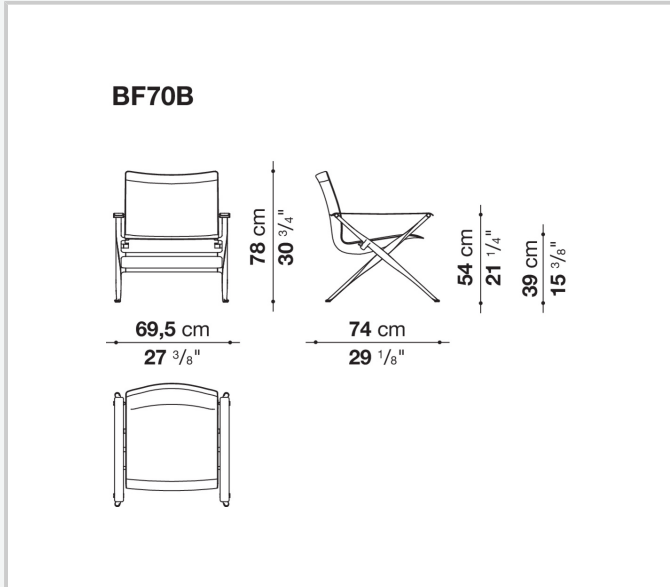
Ferrules

thermoplastic material

Cover

thick leather

Technical drawings



CONTEXT

ENQUIRIES
info@contextgallery.com

Tel. 404. 477. 3301
Tel. 800. 886.0867

contextgallery.com