

BM4570 Dining Chair

BORGE MOGENSEN



CARL HANSEN & SØN

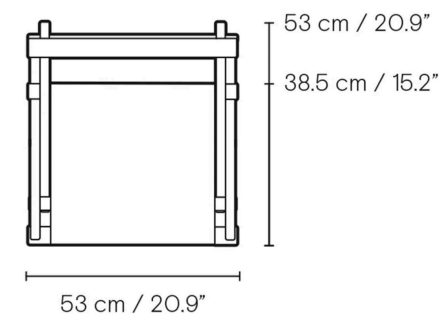
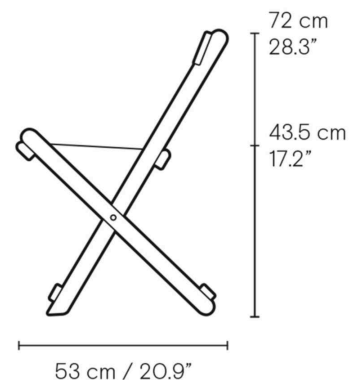
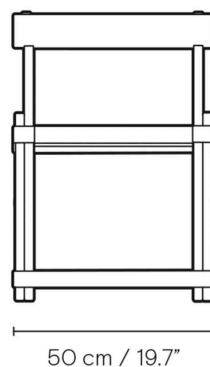
DESCRIPTION

The BM4570 Dining Chair was designed in the late 1960s by Danish furniture designer Børge Mogensen for his private balcony. His human-centric approach to design invites people to interact with nature comfortably and in a multitude of settings. The simple, slatted lines and solid teak construction provide classic durability and functionality. Fitted with a suspended seat in weather-resistant Sunbrella fabric, it folds neatly away when not in use and can be neatly hung on the series' corresponding wall mount as a decorative, architectural object in its own right.

BM4570 Dining Chair is fitted in Sunbrella Heritage Papyrus 18006 and crafted in untreated and FSC™-certified teak. The complete series includes the BM3670 Dining Table and BM5568 Deck Chair.



PRODUCT DIMENSIONS



CONTEXT

ENQUIRIES
info@contextgallery.com

Tel. 404. 477. 3301
Tel. 800. 886.0867

contextgallery.com
contextcontract.com