

Borea

CHAIRS

2021

Piero Lissoni

CONTEXT

ENQUIRIES
info@contextgallery.com
Tel. 404. 477. 3301
Tel. 800. 886.0867
contextgallery.com



Description

With its modern line, Borea is a small, stackable dining armchair in painted aluminium for outdoor use. Particularly attractive is the lower part of the frame that curves slightly outwards as it rests on the ground. The metal bending and curving processes used exploit techniques typically used in the aeronautical sector and transport them into the world of outdoor furniture, giving life to a product with an unmistakable style. Comfort is ensured by extremely soft cushions that are also environmentally sustainable. The padding is in 100% polyester fibre obtained from the recycling of PET plastic bottles and surrounds a polyurethane section of different densities. Borea is a complete collection of outdoor furniture inclusive of chairs, tables, sofas, armchairs and small tables.

Technical information

Frame

tubular and aluminium sheet

Upholstery

shaped polyurethane of different density, polyester fibre

Ferrules

plastic material

Waterproof cover cloth

PES fabric coated on one side in PU

Cover

fabric in limited categories (with profile)

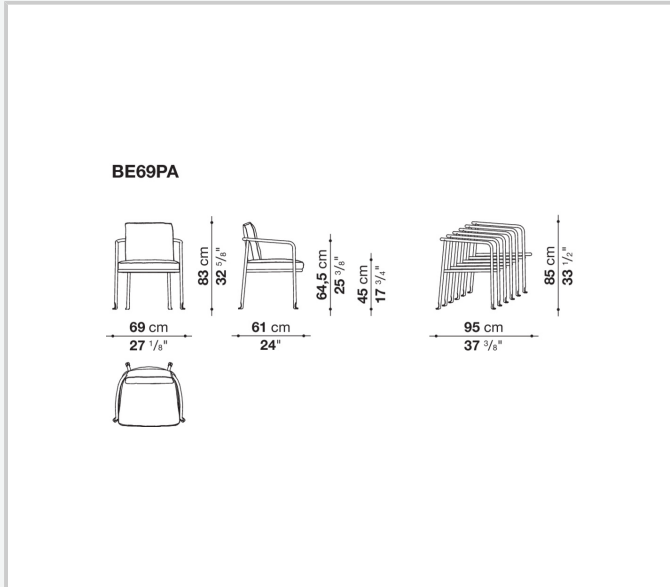
CONTEXT

ENQUIRIES
info@contextgallery.com

Tel. 404. 477. 3301
Tel. 800. 886.0867

contextgallery.com

Technical drawings



CONTEXT

ENQUIRIES
info@contextgallery.com

Tel. 404. 477. 3301
Tel. 800. 886.0867

contextgallery.com