



---

## Technical information

### Frame

tubular stainless steel

### Top

enamelled lava stone

### Ferrules and spacers

plastic material

### Waterproof cover cloth

PES fabric coated on one side in PU

---

**CONTEXT**

10/06/2021 - 2/3

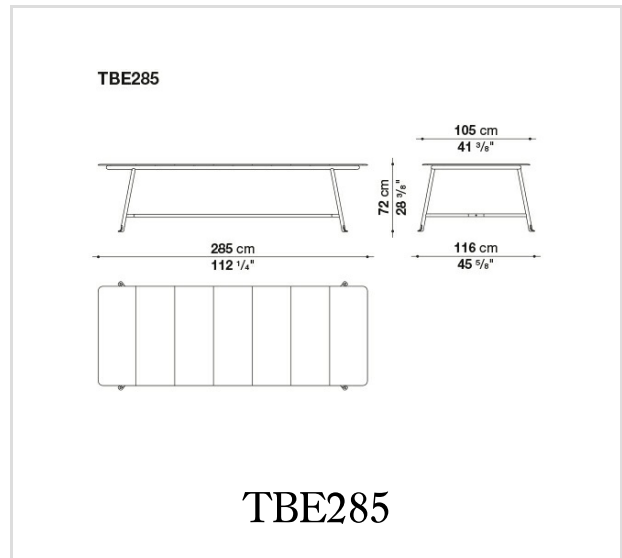
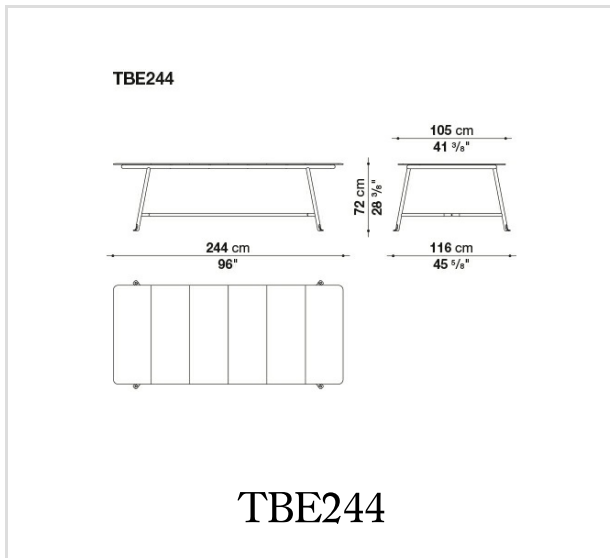
ENQUIRIES  
[info@contextgallery.com](mailto:info@contextgallery.com)

Tel. 404. 477. 3301  
Tel. 800. 886.0867

[contextgallery.com](http://contextgallery.com)

---

# Technical drawings



B&B Italia reserves the right to make technological and aesthetic improvements to its models, including changes to the sizes and materials, without notice. The technical drawings do not define the details of the product. The measurements shown are indicative and may undergo changes. In particular, the dimensions relevant to the padded parts are subject to usage tolerances over time caused by the normal adjustment of the padding. For the specific information, please contact the dealer closest to you.

---

**CONTEXT**