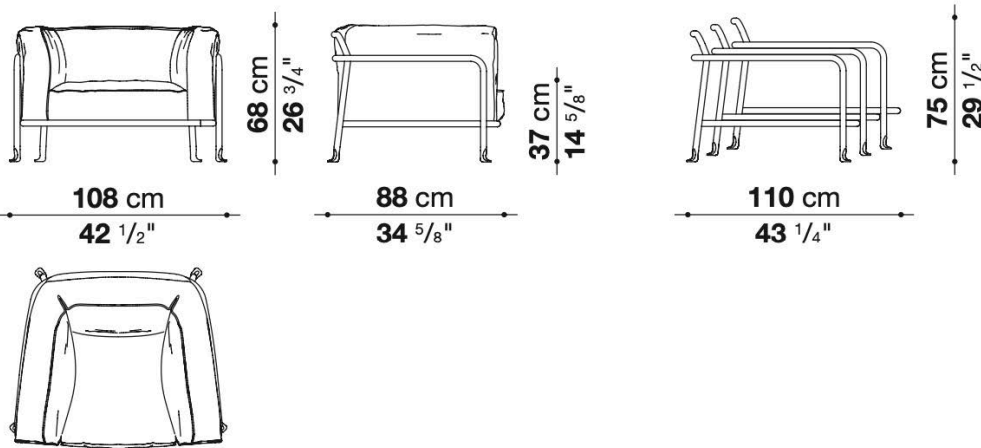


Borea

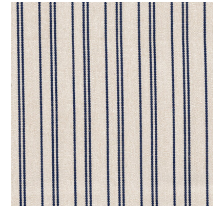
DESIGNED BY PIERO LISSONI

Borea is a complete and eclectic collection of outdoor seats and tables designed by Piero Lissoni. The numerous pieces in the collection have in common tubular metal structures with a fluid and seamless design, without joints and interruptions, captivating and even emerging in the detail that extends to the base. The metal bending processes take advantage of techniques typically used in the aeronautical sector and transport them into the world of outdoor furniture bringing life to a collection with an unmistakable style. The collection includes two- and three-seater sofas, an oversized armchair, a low small armchair and a dining chair, all with stackable aluminum structures painted. Comfort is ensured by generous cushions, which are not only soft and relaxing but were also developed to be sustainable. Paddings are in fact made with polyester fiber filling coming from recycled PET plastic bottles enveloping a different densities polyurethane core. 510 1500 ml bottles are needed to create the padding for a Borea three-seater sofa, 390 bottles for the two-seater sofa, 280 for the armchair.

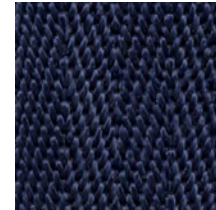


CONTEXT GALLERY

ENQUIRIES
info@contextgallery.com
Tel. 404-477-3301
Tel. 800-886-0867
contextgallery.com



Seat & Back cushion:
Solano 815



Profile:
Blue color



Frame: 0236B
Anthracite painted

Armchair
(waterproof cover included)

