

Borea

SUNBEDS

2022

Piero Lissoni

CONTEXT

ENQUIRIES
info@contextgallery.com
Tel. 404.477.3301
Tel. 800.886.0867
contextgallery.com



Description

A delicate balance of oval shapes defines the essence of the Borea lounge sunbed, a small yet surprising series of outdoor lounge sunbeds with character that are impossible to forget. The two objects redefine the category of poolside outdoor seating. The Borea lounge sunbed is available in two versions: a chaise lounge and sofa, both featuring a large section of reclinable back. The chaise lounge has an elongated, welcoming form just right for one or two people lying or reclining. By lowering the back, the chaise lounge becomes an island with multiple uses, where you can sit as you wish. The same is true of the sofa, with construction and structural features that are perfect for the pool, the lawn, or even the terrace. The supporting frame of the Borea lounge sunbed is made of curved aluminium tubes, supporting a base of fixed slats in aluminium sheet. The 6 cm thick upholstered mattress guarantees comfort and is covered in line with the entire range of B&B Italia outdoor textiles. The Borea lounge sunbed will be the ideal presence in parks and around pools at hotels and resorts, where architects and interior designers can play with arranging the elements as they desire, creating highly sophisticated scenes, and spaces, for every guest to interact and relax.

Technical information

Frame

tubular and aluminium sheet

Upholstery

shaped polyurethane of different density, polyester fibre

Ferrules

plastic material

Waterproof cover cloth

PES fabric coated on one side in PU

Cover

fabric in limited categories

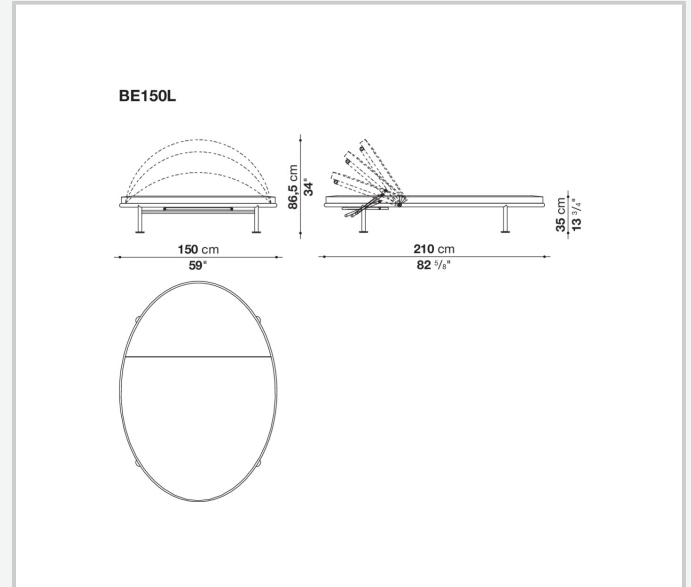
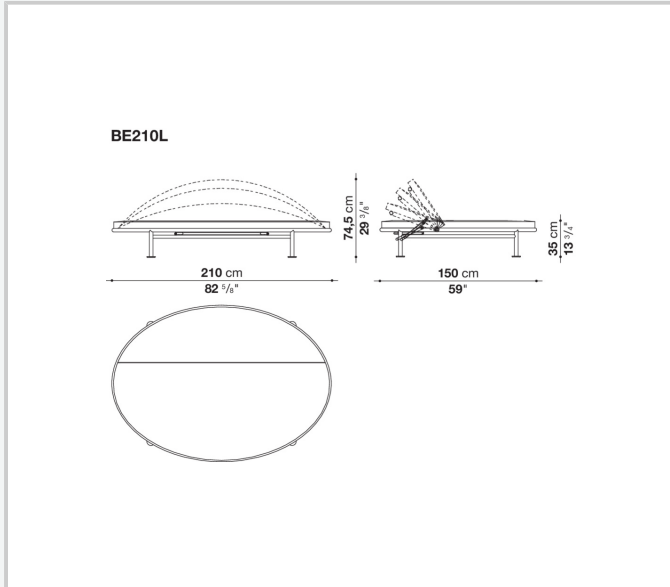
CONTEXT

ENQUIRIES
info@contextgallery.com

Tel. 404. 477. 3301
Tel. 800. 886.0867

contextgallery.com

Technical drawings



CONTEXT

ENQUIRIES
info@contextgallery.com

Tel. 404. 477. 3301
Tel. 800. 886.0867

contextgallery.com