

Borea

SMALL TABLES

2021

Piero Lissoni

CONTEXT

ENQUIRIES
info@contextgallery.com
Tel. 404. 477. 3301
Tel. 800. 886.0867
contextgallery.com



Description

The Borea small tables for outdoor use offer refined support solutions that play with shapes, sizes and materials. They stand out for their thin frame in painted steel rod and tops in enamelled lava stone, both available in different colours.

Technical information

Frame

tubular stainless steel

Top

enamelled lava stone

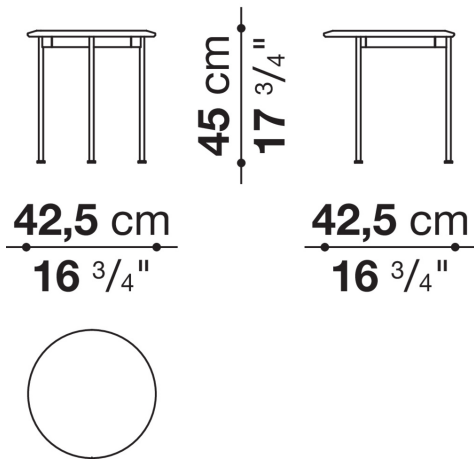
Ferrules and spacers

plastic material

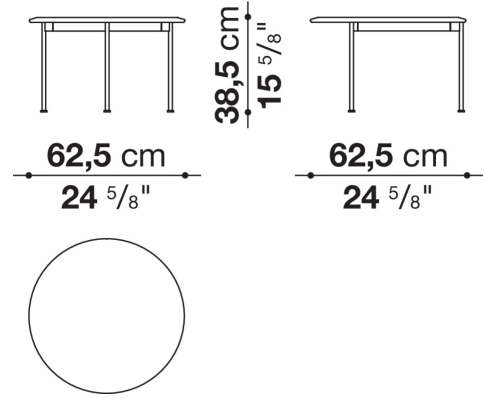
Waterproof cover cloth

PES fabric coated on one side in PU

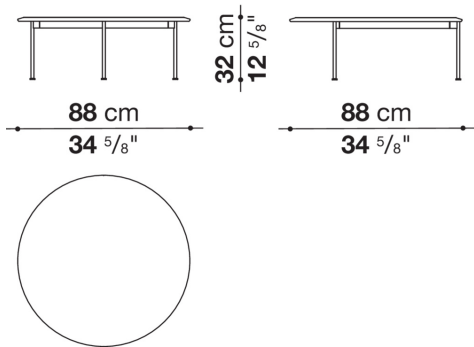
TBE4



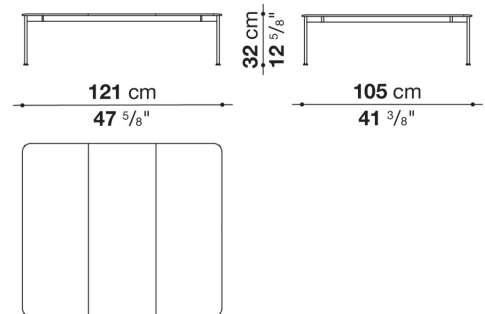
TBE6



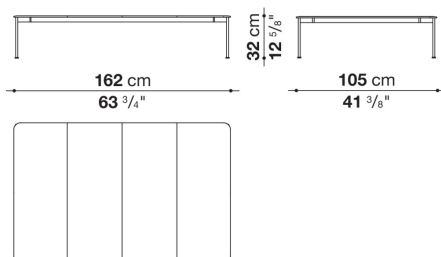
TBE8



TBE121



TBE162



CONTEXT

ENQUIRIES
info@contextgallery.com
Tel. 404. 477. 3301
Tel. 800. 886.0867
contextgallery.com



CONTEXT

ENQUIRIES
info@contextgallery.com

Tel. 404. 477. 3301
Tel. 800. 886.0867

contextgallery.com