

# Borea

SOFAS

2021

Piero Lissoni

**CONTEXT**

ENQUIRIES  
info@contextgallery.com  
Tel. 404.477.3301  
Tel. 800.886.0867  
contextgallery.com



## Description

The outdoor Borea two-seater and three-seater sofas feature a tubular metal frame with a fluid and seamless design, without joints and interruptions, and an unexpected motif in the end part that rests on the ground. The metal bending processes used exploit techniques typically used in the aeronautical sector and transport them into the world of outdoor furniture, giving life to a collection with an unmistakable style. Comfort is ensured by generous, welcoming cushions, which are not only soft and relaxing but also developed to be sustainable: the paddings are made from 100% polyester fibre obtained from recycled PET plastic bottles, enveloping a polyurethane core in diversified densities. 510 1500 ml bottles are needed to create the upholstery for a Borea three-seater sofa, and 390 bottles for the two-seater sofa.

## Technical information

**Frame**

tubular and aluminium sheet

**Upholstery**

shaped polyurethane of different density, polyester fibre

**Ferrules**

plastic material

**Waterproof cover cloth**

PES fabric coated on one side in PU

**Cover**

fabric in limited categories (with profile)

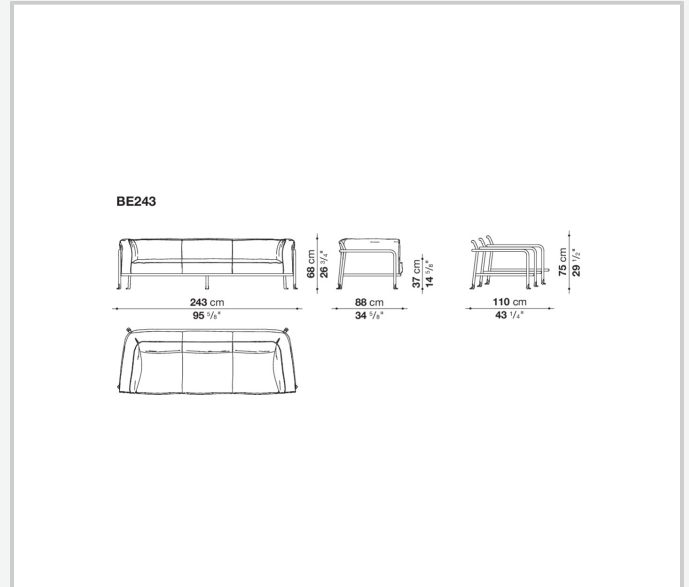
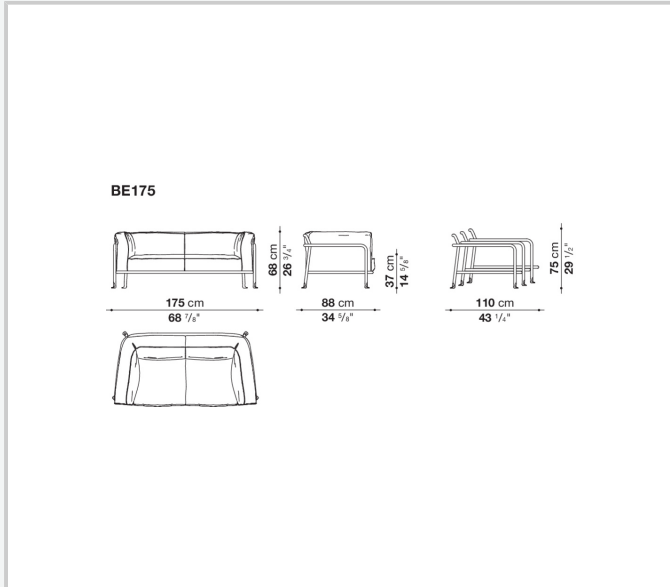
## CONTEXT

ENQUIRIES  
info@contextgallery.com

Tel. 404. 477. 3301  
Tel. 800. 886.0867

contextgallery.com

# Technical drawings



## CONTEXT

ENQUIRIES  
info@contextgallery.com

Tel. 404. 477. 3301  
Tel. 800. 886.0867

contextgallery.com