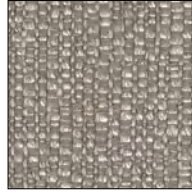


Charles

DESIGNED BY ANTONIO CITTERIO

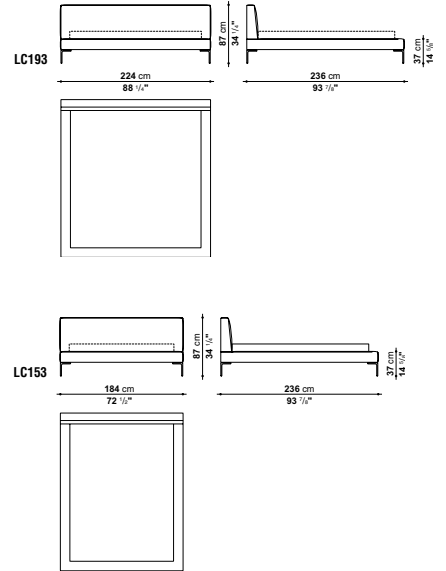
Now available in American King and Queen sizes, the Charles bed conserves the classic "inverted-L" shaped aluminium feet that are the distinguishing trait of the entire product family. The Charles uses a pressed and curved beechwood slatted base to provide independent support for continued comfort.



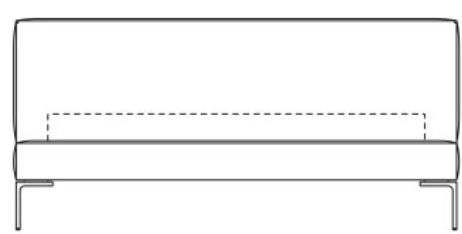
Bormio 251



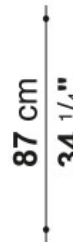
Feet: Bright brushed aluminium



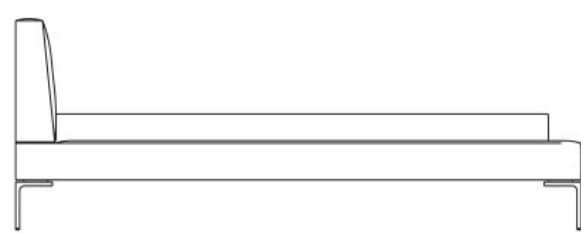
LC153



184 cm
72 1/2"



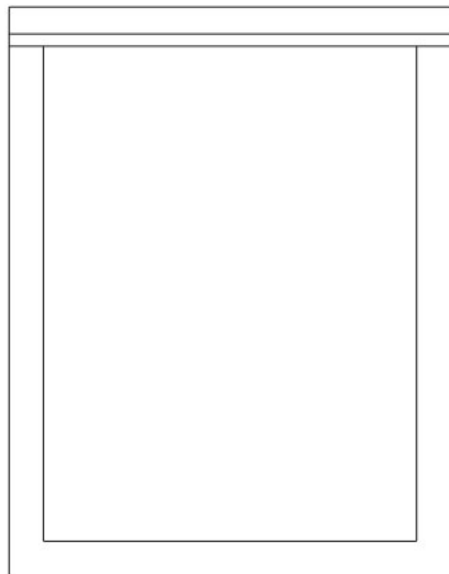
87 cm
34 1/4"



236 cm
93 7/8"



37 cm
14 5/8"



LC193

