
Tobi-Ishi

SMALL TABLES

Edward Barber and Jay Osgerby



Description

Oak wood coffee table in four different finishes. It fits in any setting, for example in front of a sofa, as its curved edges make it of utmost convenience and security.

Technical information

Top:

oak veneered wood particles panel with solid wood parts

Legs:

solid oakwood

Finish:

grey oak, brushed light oak, brushed black oak or smoked stained oak

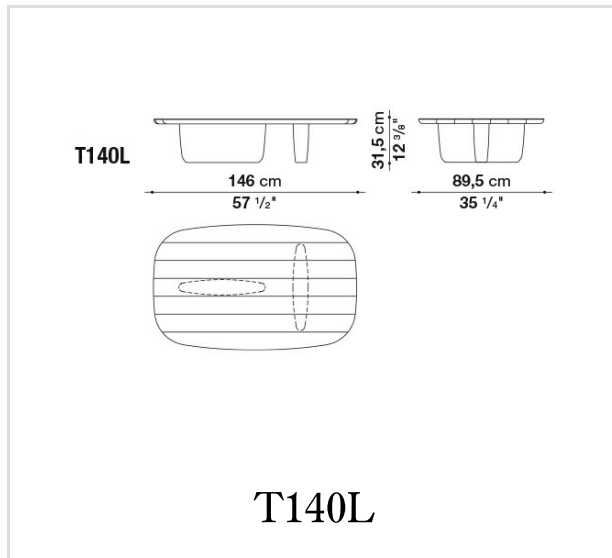
Ferrules:

plastic material

Counterweight:

steel

Technical drawings



B&B Italia reserves the right to make technological and aesthetic improvements to its models, including changes to the sizes and materials, without notice. The technical drawings do not define the details of the product. The measurements shown are indicative and may undergo changes. In particular, the dimensions relevant to the padded parts are subject to usage tolerances over time caused by the normal adjustment of the padding. For the specific information, please contact the dealer closest to you.