
Bull

TABLES

Naoto Fukasawa

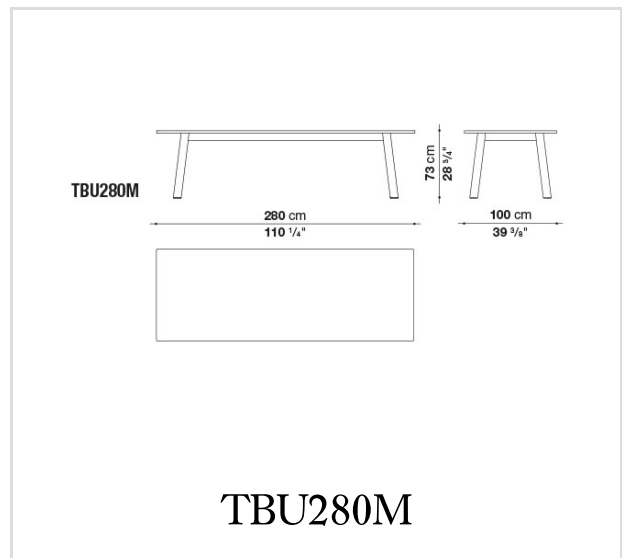
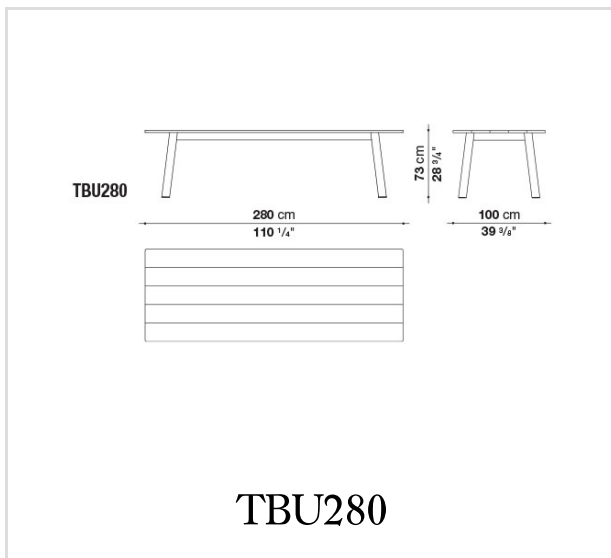
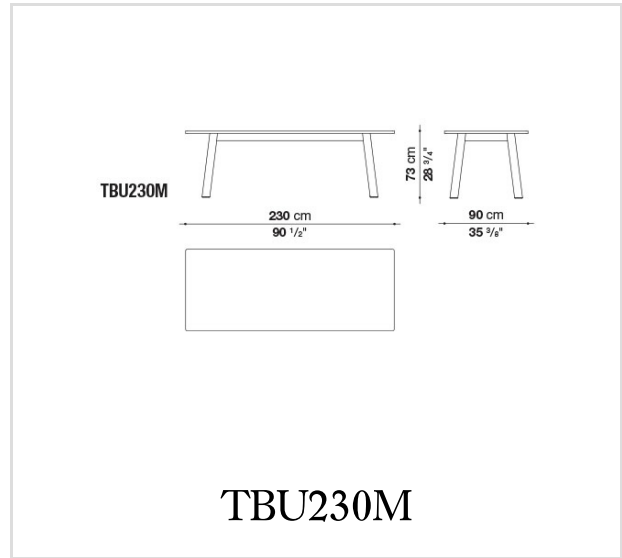
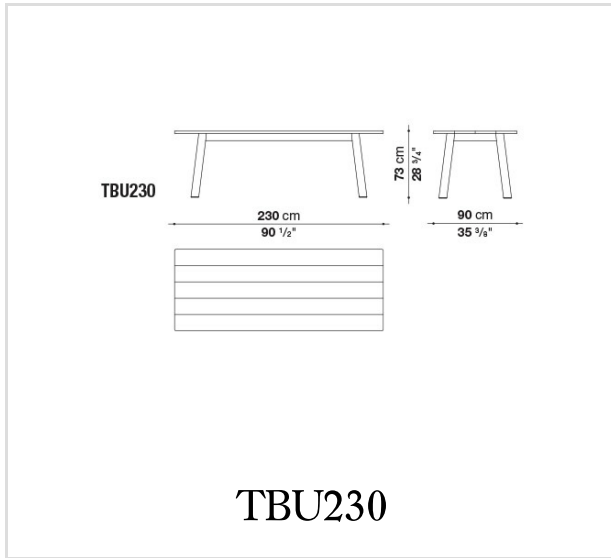


Description

The aim of Naoto Fukasawa's Bull table is to communicate the immediate impression of a very solid yet extremely refined object. A stylistic formula that forms part of the designer's distinctive language and which, in the case of Bull, uses a subtle structural tension among the elements: the legs with an ample round section, which although slightly inclined seem to be solidly "planted in the ground", and in contrast a slim top that seems simply to be resting lightly on the frame. Available in two sizes - 230 cm and 280 cm - Bull can be entirely in oak in light, grey, black and smoked versions, or with an oak structure and top in black Marquinia or white Carrara statuarietto marble, both with matt finish.

Technical information

Technical drawings



B&B Italia reserves the right to make technological and aesthetic improvements to its models, including changes to the sizes and materials, without notice. The technical drawings do not define the details of the product. The measurements shown are indicative and may undergo changes. In particular, the dimensions relevant to the padded parts are subject to usage tolerances over time caused by the normal adjustment of the padding. For the specific information, please contact the dealer closest to you.