

# Canasta '13

ARMCHAIRS

2013

Patricia Urquiola

**CONTEXT**

ENQUIRIES  
info@contextgallery.com  
Tel. 404.477.3301  
Tel. 800.886.0867  
contextgallery.com



## Description

Canasta '13 is a family of seats that preserves the iconic design of the Canasta series while donning a new look to blend even more with the external environment. The armchairs, sofas and small tables making up the series are characterised by a light interlacing of mélange polyethylene yarn which lets the light shine through. The armchairs come with a high or low backrest with coverings to be chosen among a wide range of proposals.

## Technical information

**Frame**

aluminium or steel with polyester powder painting

**Interlacing**

polyethylene fibre

**Seat cushion**

shaped polyurethane, cover in water repellent polyester fibre (with heat-sealed ribbon)

**Back cushion**

polyester fibre, cover in water repellent polyester fibre

**Ferrules**

thermoplastic material

**Waterproof cover cloth**

PES fabric coated on one side in PU

**Cover**

fabric in limited categories

## CONTEXT

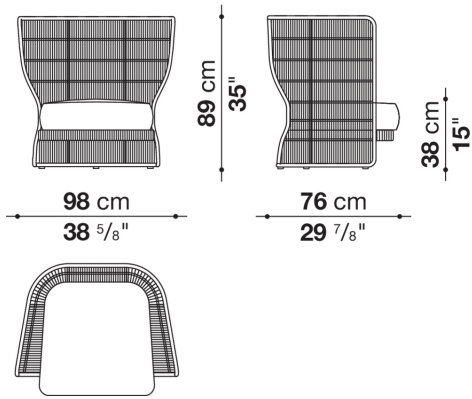
ENQUIRIES  
info@contextgallery.com

Tel. 404. 477. 3301  
Tel. 800. 886.0867

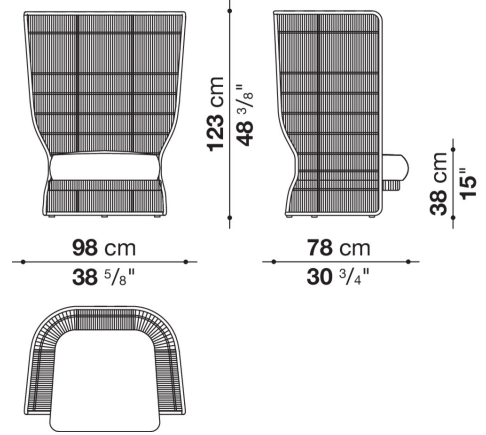
contextgallery.com

# Technical drawings

**CNC98PB**



**CNC98PA**



**CONTEXT**

ENQUIRIES  
info@contextgallery.com

Tel. 404. 477. 3301  
Tel. 800. 886.0867

contextgallery.com