

Canasta

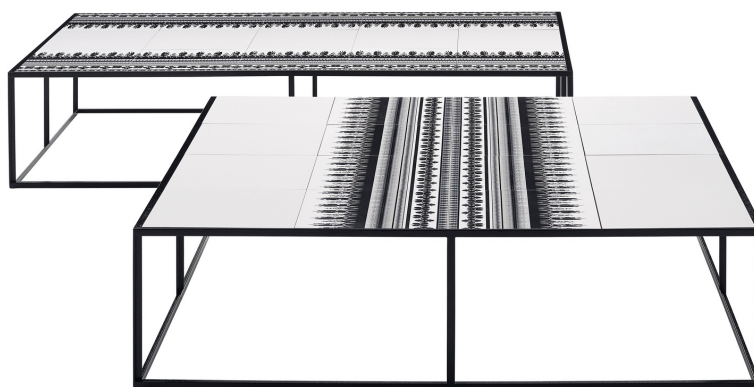
SMALL TABLES

2007

Patricia Urquiola

CONTEXT

ENQUIRIES
info@contextgallery.com
Tel. 404. 477. 3301
Tel. 800. 886.0867
contextgallery.com



Description

The Canasta small tables for outdoor use can be used on their own or to complement the family of chairs and tables of the same name. They come in two very different versions: the first, a decorative model in three sizes featuring a tray top in painted steel, stands out for its soft shapes and large weave of polyethylene fibre bands; the second, more minimalist and geometric and available in two sizes, has a powder-painted steel frame and tops in porcelain stoneware featuring refined black and white graphic designs.

Technical information

Frame

aluminium or steel with polyester powder painting

Top

tiles in porcelain stoneware

Service element tray (PCN60-PCN80-PCN110)

steel sheet with polyester powder painting

Ferrules

thermoplastic material

Waterproof cover cloth

PES fabric coated on one side in PU

CONTEXT

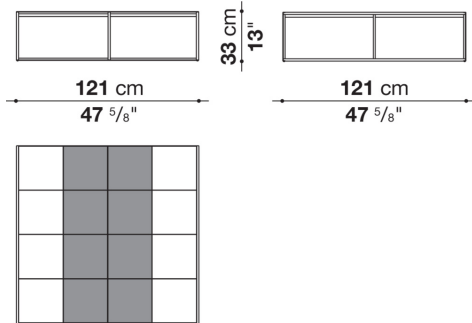
ENQUIRIES
info@contextgallery.com

Tel. 404. 477. 3301
Tel. 800. 886.0867

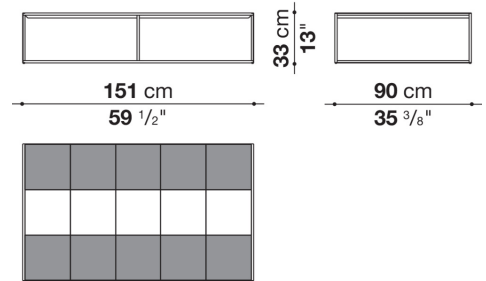
contextgallery.com

Technical drawings

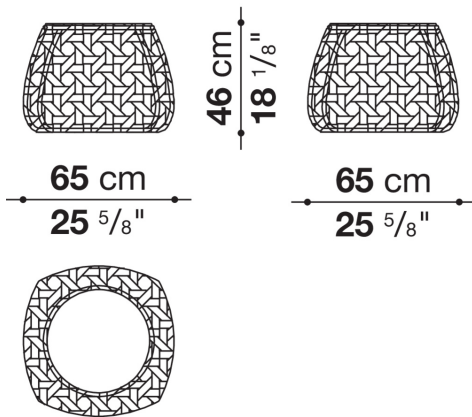
TCN12



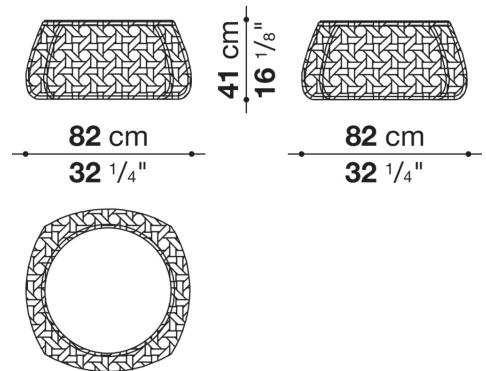
TCN15



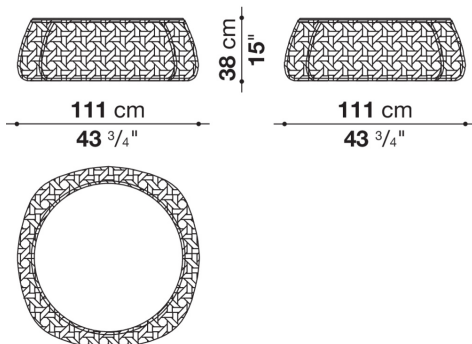
PCN60



PCN80



PCN110



CONTEXT

ENQUIRIES
info@contextgallery.com
 Tel. 404. 477. 3301
 Tel. 800. 886.0867
contextgallery.com