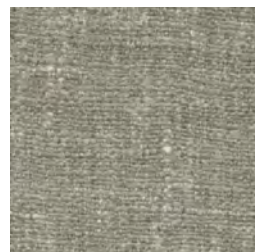


Caratos Chair

DESIGNED BY ANTONIO CITTERIO

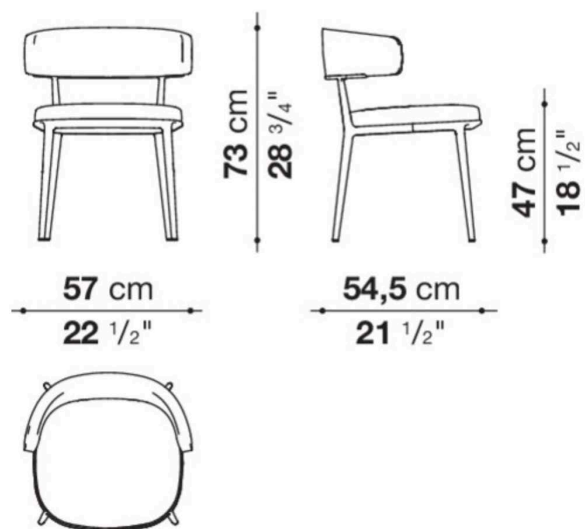
Chairs in two versions, armchairs, ottomans and coffee tables are the new proposals that extend the Caratos series launched last year. These new items both reflect and strengthen the original designs' essential features while softening them by introducing embracing shapes. The light die-cast graphite or amber painted aluminium structure is retained, while padded backrests contribute to the formation of the armrests, creating seating with no postural restrictions at all, encouraging conversation and relations between neighbours. The ottomans and coffee tables echo the design of the frames and are ideal complements to the seats to create conversation areas and social settings. reveal new future surprises.



Lodi 257



Frame: Graphite painted



CONTEXT GALLERY

Caratos Chair

ENQUIRIES
info@contextgallery.com

Tel. 404. 477. 3301
Tel. 800. 886.0867

contextgallery.com



MAXALTO