

Cassina

522 TOKYO CHAISE LONGUE

Catalogue I **Maestri**

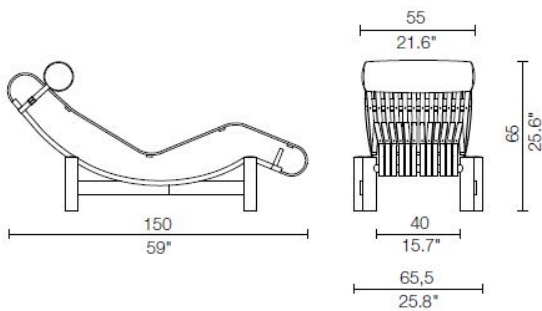
Year of design **1940**

Year of production **2011**

The seat of this chaise longue is composed of 12 curved wooden strips (teak or bamboo). The joining elements connecting the strips to the bars below are satin brass studs. The base is in solid wood (teak or bamboo).

The mattress comes with water-draining polyurethane upholstery and stain resistant polyester yarn coated in PVC treated with an exclusive formulation, called Glen Raven, guaranteed totally mold resistant and ISO 9001 certified. Available in different colors. Each chaise longue comes with a protective waterproof cover for the winter season.

This model should not be exposed to rain or prolonged humidity.



CONTEXT

ENQUIRIES
info@contextgallery.com

Tel. 404. 477. 3301
Tel. 800. 886.0867

contextgallery.com
contextcontract.com