

CH07ShellChair

HANS J. WEGNER



CARL HANSEN & SØN

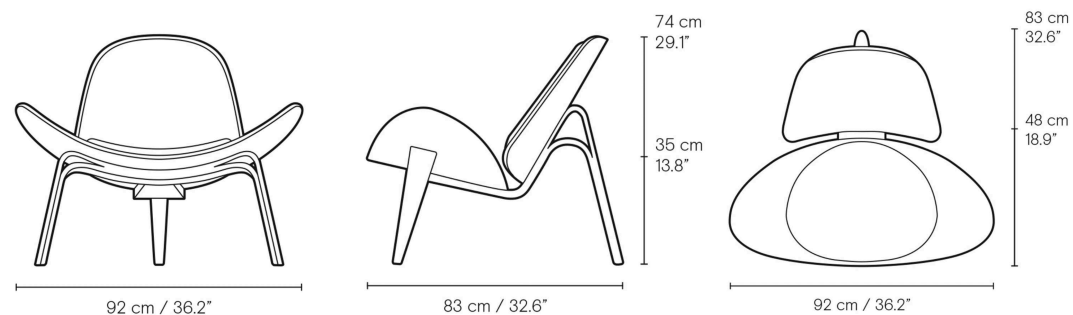
DESCRIPTION

Today the CH07 Shell Chair is considered one of the most iconic groundbreaking designs by Hans J. Wegner. Created in 1963, it was ahead of its time, and while garnering praise from critics for its Avant-Gard look, the general public was reluctant to embrace its distinctive style. It wasn't until 1998, when Carl Hansen & Son re-released the Shell Chair, it found the spotlight- immediately receiving broad public admiration.

Wegner's Shell Chair achieves a floating lightness with its wing-like seat and arching curved legs. Its signature seat and backrest are created from upholstered form-pressed veneer, cradling the user in generous comfort. The Shell Chair manifests Wegner's belief that a chair should always be comfortable and beautiful from all sides and angles.



PRODUCT DIMENSIONS



CONTEXT

ENQUIRIES
info@contextgallery.com

Tel. 404. 477. 3301
Tel. 800. 886.0867

contextgallery.com
contextcontract.com