

CH22 Lounge Chair

HANS J. WEGNER



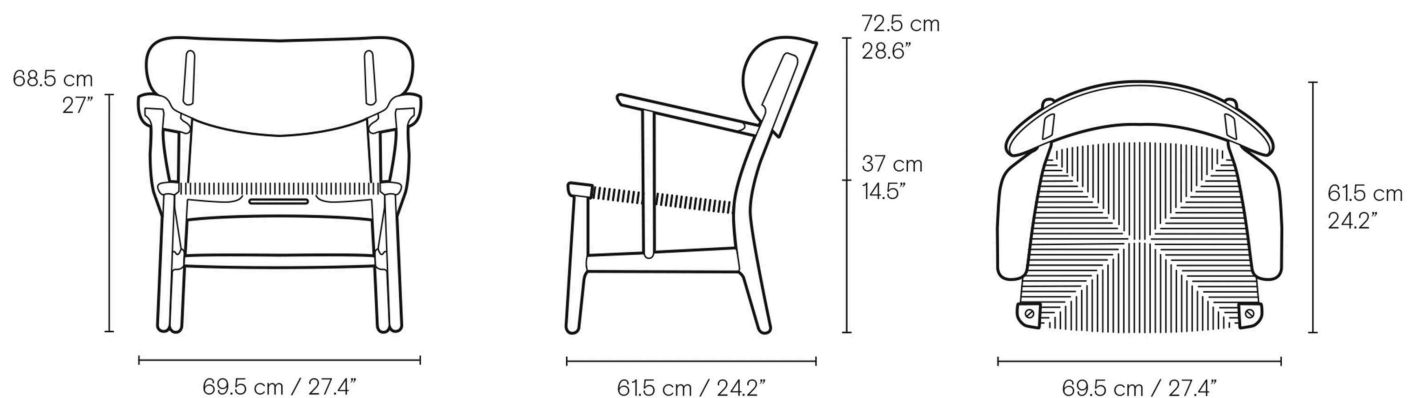
CARL HANSEN & SØN

DESCRIPTION

The CH22 Lounge Chair designed by Hans J. Wegner for Carl Hansen & Søn was originally designed in 1950 and presented in August of the same year at the 'Kobestævnet' exhibition in Denmark. Manufactured to Wegner's exact original specifications, the CH22 is a low armchair with a solid wood construction, featuring characteristically shaped armrests and a paper cord seat in what is known as an envelope weave. The chair's refined joinery is evident in the finger-joined corners of the seat frame, with the forelegs locking into wooden wedges in a color contrasting that of the frame. The distinctive back shell in form pressed veneer features oblong cover caps as a striking detail.



PRODUCT DIMENSIONS



CONTEXT

ENQUIRIES
info@contextgallery.com

Tel. 404. 477. 3301
Tel. 800. 886.0867

contextgallery.com
contextcontract.com