

CH28TILounge Chair

HANS J. WEGNER



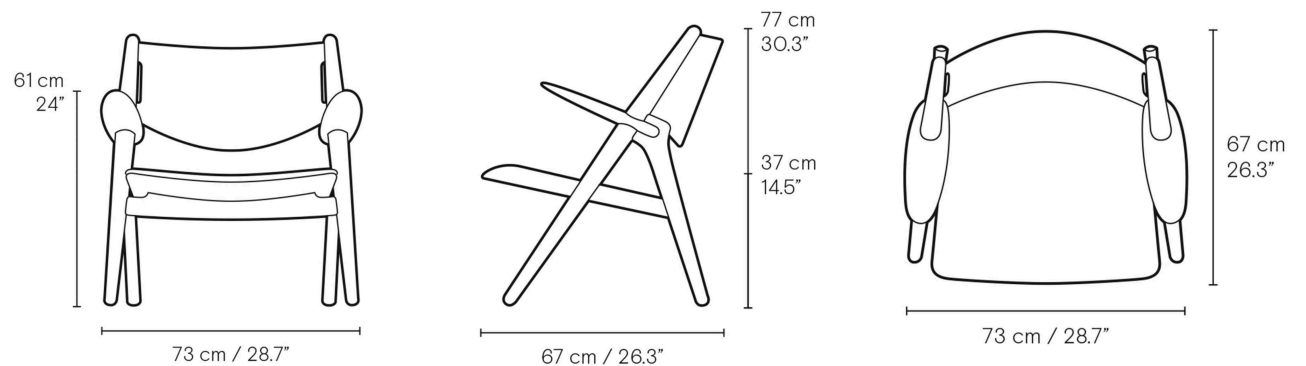
CARL HANSEN & SØN

DESCRIPTION

Functional and sculptural, with an exceptional finish, Hans J. Wegner's CH28 lounge chair design features many of the master's signature elements. Sharp and shapely lines contrast beautifully in this highly appealing chair. Ease back in comfort with rounded edges and delicate touches. Noteworthy details include rounded armrests, wooden seat buttons that contrast with the wood grain of the seat and back, and the intriguing dynamic between the thin, bent seat and back and the more robust round legs. The CH28 lounge chair is available in solid oak and walnut as well as in a combination of these wood types, with various finishes. The seat and back are also available upholstered in fabric or leather from the collection.



PRODUCT DIMENSIONS



CONTEXT

ENQUIRIES
info@contextgallery.com

Tel. 404. 477. 3301
Tel. 800. 886.0867

contextgallery.com
contextcontract.com