

CH36 Dining Chair

HANS J. WEGNER



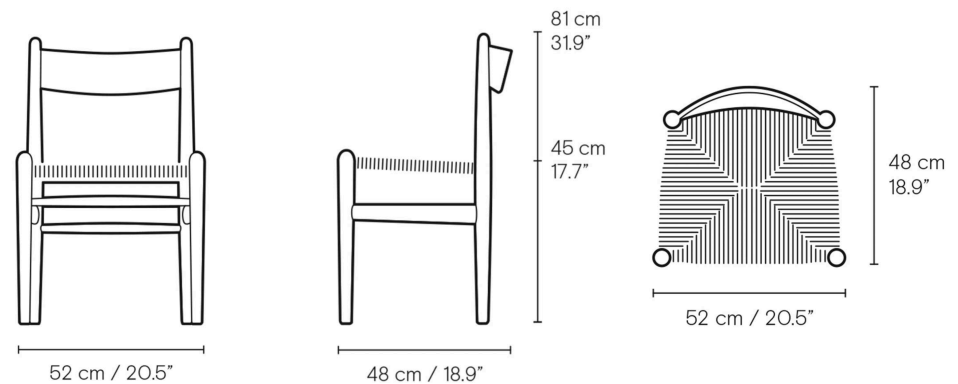
CARL HANSEN & SØN

DESCRIPTION

This 1962 design demonstrates the influence American Shaker furniture principles and craftsmanship had on Hans J. Wegner's work. The simple and functional design of the Ch36 Dining chair is crafted with great attention to detail. Its legs taper off slightly towards the floor and in the rear towards the top. The backrest is significantly more curved at the top than at the bottom, a component designed to optimize back support. The chair is finished with a double-woven paper cord seat. On the whole, Ch36 is as comfortable to sit in as it is beautiful to behold.



PRODUCT DIMENSIONS



CONTEXT

ENQUIRIES
info@contextgallery.com

Tel. 404. 477. 3301
Tel. 800. 886.0867

contextgallery.com
contextcontract.com