

CH468IOculus Chair

HANS J. WEGNER



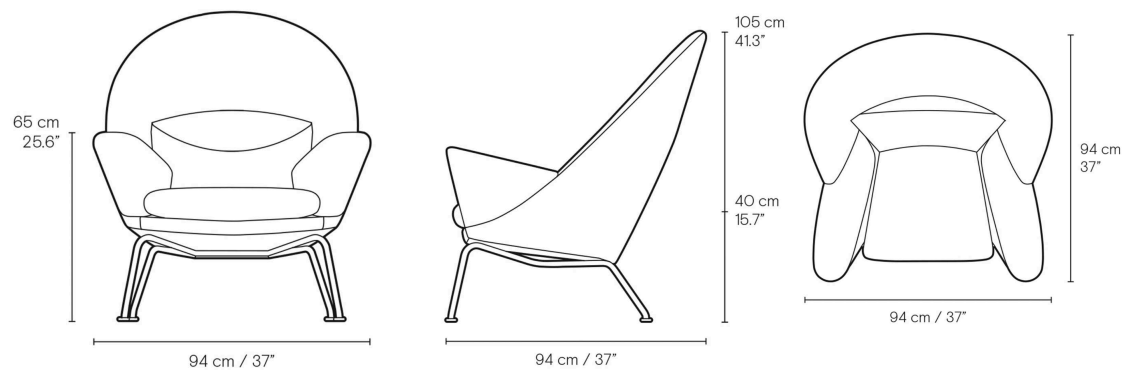
CARL HANSEN & SØN

DESCRIPTION

An inviting design icon, the Oculus Chair encourages a relaxed posture for personal focus and rejuvenation. The design ensures that the shoulder blades can fall back comfortably into the chair, creating a resting point for the neck and back. The sleek-looking stainless steel frame with sloping legs emphasizes the unique upholstered upper chair shape. It gains its moniker for the eye-shaped stitching of the chair's back; moreover, it is sure to capture the eye as a natural focal point in any room.



PRODUCT DIMENSIONS



CONTEXT

ENQUIRIES
info@contextgallery.com

Tel. 404. 477. 3301
Tel. 800. 886.0867

contextgallery.com
contextcontract.com