



CH468 | OCULUS CHAIR
HANS J. WEGNER | 1960



'Oculus', Latin for eye, refers to the eye-like shape in the upholstery of the chair's back. The combination of an unusual design with a supremely comfortable, supportive structure made the Oculus Chair an instant favorite. The chair's curved, oversized backrest and large, sloping armrests create an inviting nook for relaxation and provide a dramatic contrast to the lightweight stainless steel legs.

ICONIC DESIGN · COLLABORATIVE · RE-JUVENATING · RESIDENTIAL · HOSPITALITY · WORKPLACE · EDUCATION

VARIANTS AVAILABLE IN QUICKSHIP



Stainless steel frame
Divina Melange 2 - 120

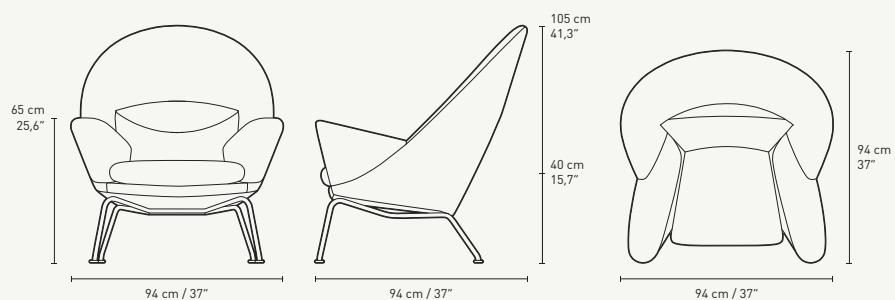


Stainless steel frame
Divina Melange 2 - 180

CONTEXT

ENQUIRIES
info@contextgallery.com
Tel. 404. 477. 3301
Tel. 800. 886.0867
contextgallery.com

PRODUCT DIMENSIONS





CH446 | FOOTREST
 HANS J. WEGNER | 1958



The CH446 footstool was originally designed by Hans J. Wegner in 1958 for the CH401 chair. It has a light appearance, despite its solid-wood interior frame, with tubular stainless steel legs that will last for generations. The footstool is an ideal match for the CH445 Wing Chair and CH468 Oculus Chair.

PAIRS WITH THE CH445 WING CHAIR + CH468 OCULUS CHAIR

VARIANTS AVAILABLE IN QUICKSHIP



Stainless steel frame
 Divina Melange 2 - 120



Stainless steel frame
 Divina Melange 2 - 180

CONTEXT

ENQUIRIES
info@contextgallery.com
 Tel. 404. 477. 3301
 Tel. 800. 886.0867
contextgallery.com

PRODUCT DIMENSIONS

