

CH88I Chair

HANS J. WEGNER



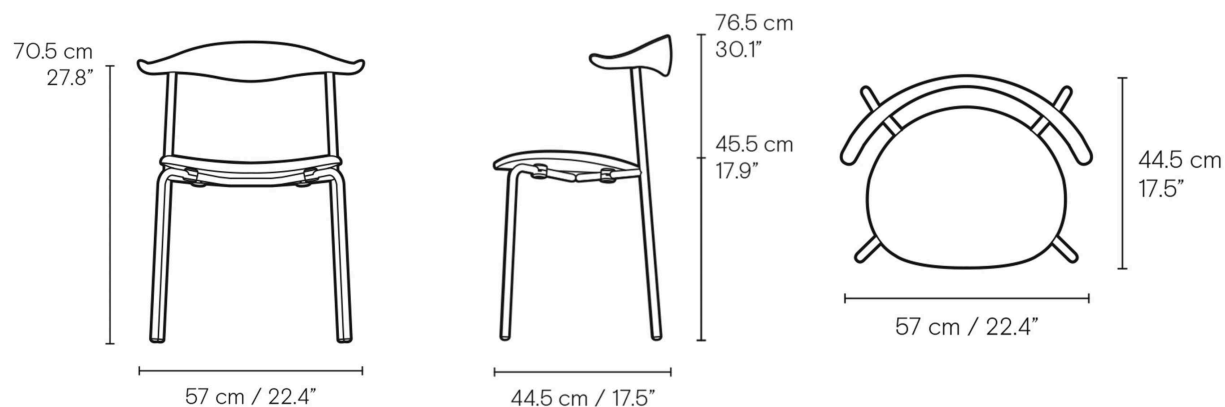
CARL HANSEN & SØN

DESCRIPTION

Hans J. Wegner originally developed the CH88 as a proto-type with colored legs for the international Helsingborg Exhibition of 1955 in Sweden. In 2014, the chair went into production for the first time. The CH88 dining chair's clever construction and stackable quality make it highly functional. The steel frame combined with the wooden backrest and seat provides an elegant design and comfortable form. The CH88P is available with a seat upholstered in leather or fabric, adding even greater versatility and comfort.



PRODUCT DIMENSIONS



CONTEXT

ENQUIRIES
info@contextgallery.com

Tel. 404. 477. 3301
Tel. 800. 886.0867

contextgallery.com
contextcontract.com