

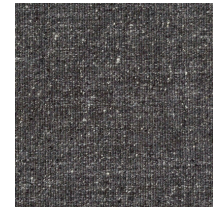
CONTEXT GALLERY

Charles

DESIGNED BY ANTONIO CITTERIO

The Charles bed conserves the classic "inverted-L" shaped aluminium feet that are the distinguishing trait of the entire product family. The Charles uses a pressed and curved beechwood slatted base to provide independent support for continuous comfort. King and Queen sizes available through quick ship program.

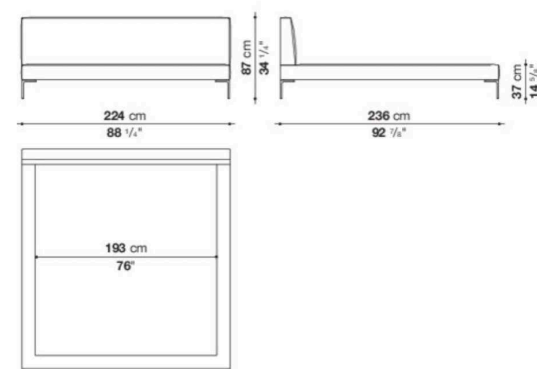
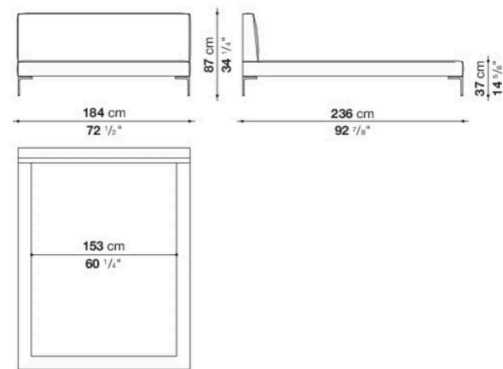
ENQUIRIES
info@contextgallery.com
Tel. 404. 477. 3301
Tel. 800. 886.0867
contextgallery.com



Edit 153



**Feet: 0189A
Bright brushed**



Charles - Edit 153
Queen size
King size

