

# Charles

BEDS

2004

Antonio Citterio

**CONTEXT**

ENQUIRIES  
info@contextgallery.com  
Tel. 404.477.3301  
Tel. 800.886.0867  
contextgallery.com



## Description

Charles is a double bed with fabric or leather upholstery available in two versions: a more striking one, in which the sides protrude from the slightly recessed mattress, and a simpler one in which the band is flush with the mattress. An evolution of the sofa of the same name, the Charles bed features the signature design of the inverted "L" shaped foot. It also comes in a version with wheels.

## Technical information

**Internal frame**

tubular steel and steel profiles

**Internal frame upholstery**

Bayfit® flexible cold shaped polyurethane foam, polyester fibre cover

**External feet**

die-cast aluminium

**Internal feet**

tubular steel and steel profiles

**Wheels support frame**

steel

**Wheels**

plastic material

**Ferrules**

thermoplastic material

**Cover**

fabric or leather

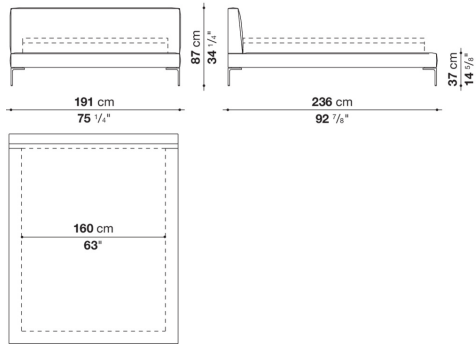
## CONTEXT

ENQUIRIES  
info@contextgallery.com

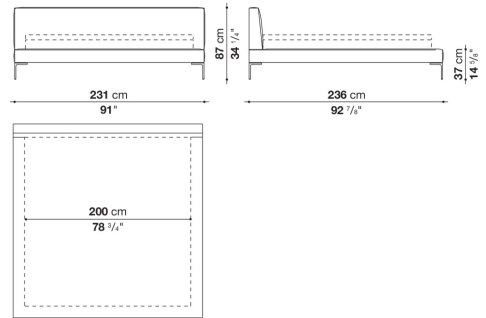
Tel. 404. 477. 3301  
Tel. 800. 886. 0867

# Technical drawings

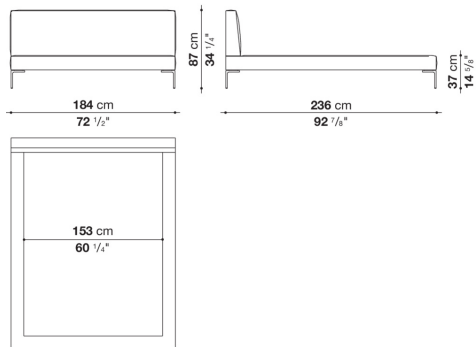
**LC160**



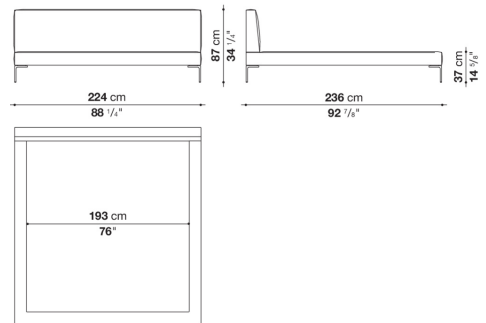
**LC200**



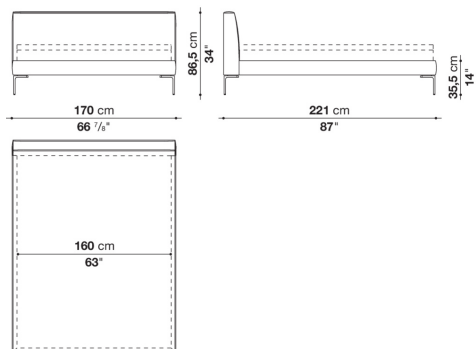
**LC153**



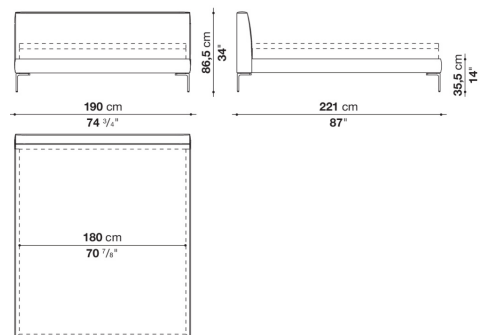
**LC193**



**LCA170**

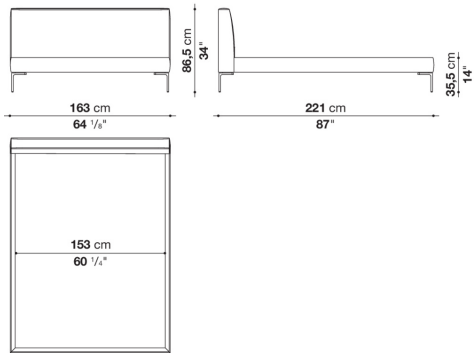


**LCA190**

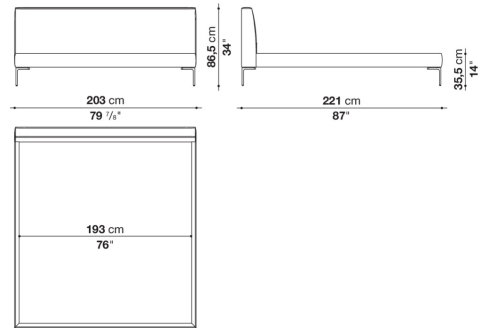


**CONTEXT**

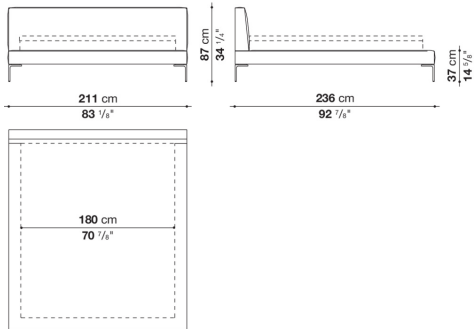
LCA153



LCA193



LC180



# CONTEXT

ENQUIRIES  
info@contextgallery.com

Tel. 404. 477. 3301  
Tel. 800. 886.0867