
Charles Outdoor

CONTEXT

SOFAS

2010

Antonio Citterio

ENQUIRIES
info@contextgallery.com
Tel. 404. 477. 3301
Tel. 800. 886.0867
contextgallery.com



Description

The outdoor version of the Charles sofa system - a long-time bestseller for B&B Italia - preserves the quality of the interior design project and the characteristics that made it a classic of pure contemporary taste. Indeed, the system features the same slim frame, flexibility and signature design of the inverted "L" shaped feet. With its rigorous, timeless aesthetic, it stands out for its lightweight internal aluminium frame and an external surface created by an open interlacing polypropylene ribbon.

Technical information

Internal frame

tubular aluminium and aluminium profiles

Interlacing

polypropylene fibre

Seat cushion

shaped polyurethane, cover in water repellent polyester fibre

Back cushion

polyester fibre, cover in water repellent polyester fibre

Feet

die-cast aluminium with polyester powder painting

Ferrules

thermoplastic material

Waterproof cover cloth

PES fabric coated on one side in PU

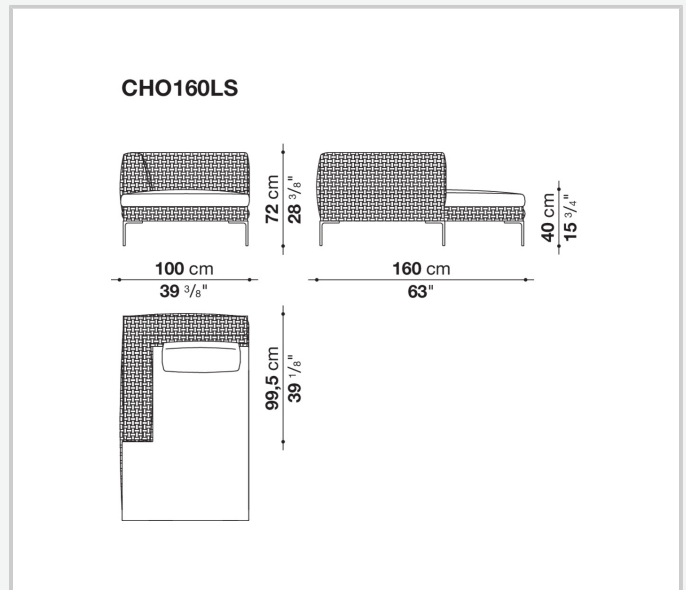
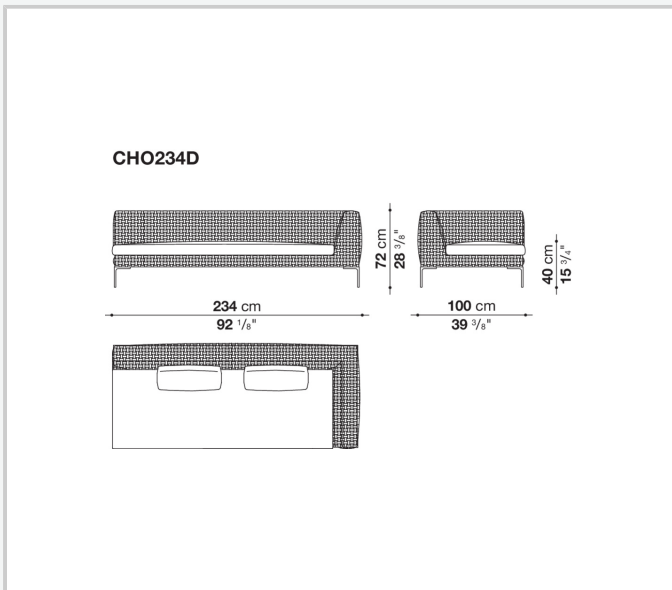
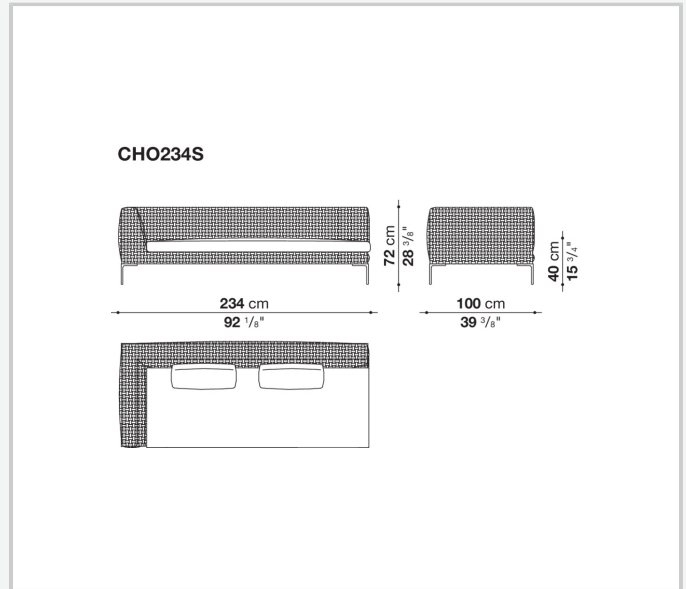
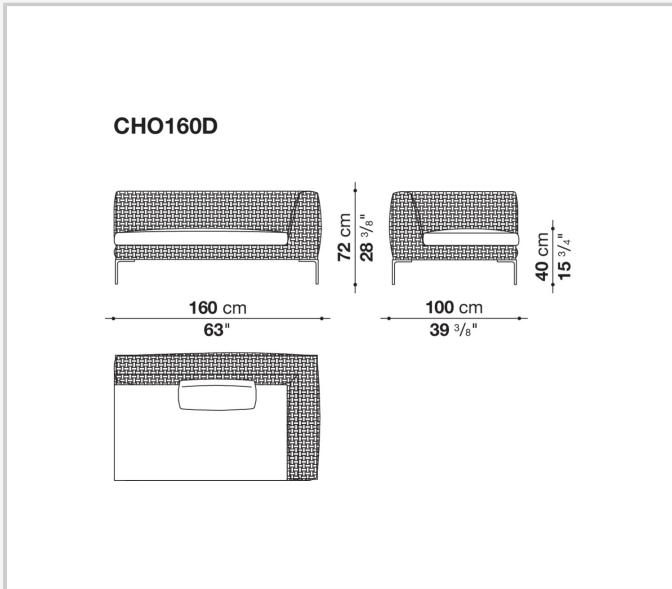
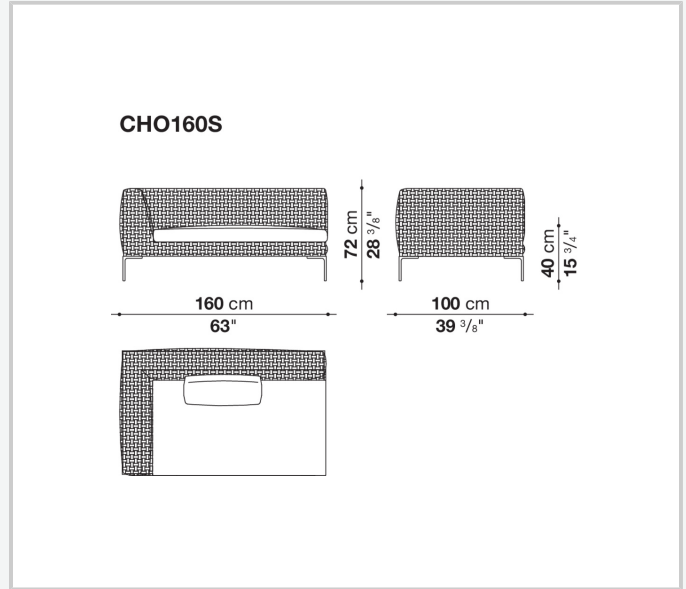
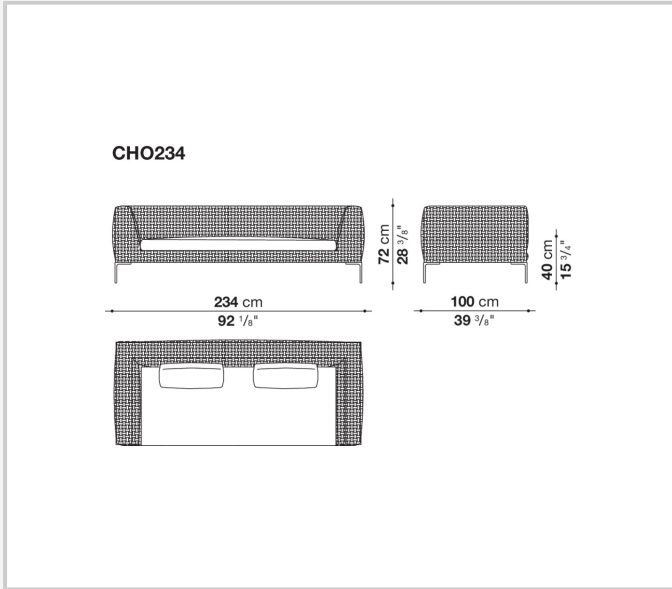
Cover

fabric in limited categories

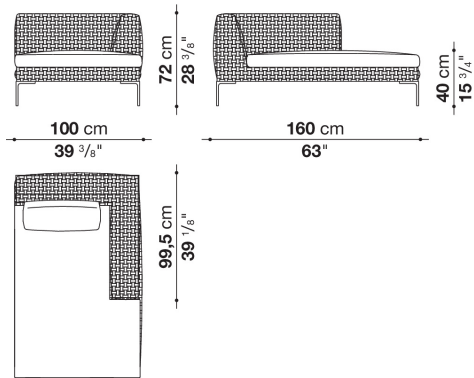
CONTEXT

ENQUIRIES
info@contextgallery.com

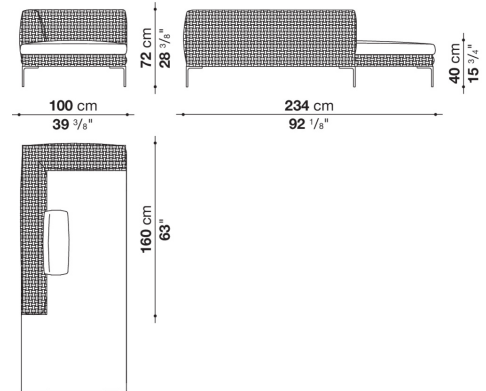
Tel. 404. 477. 3301
Tel. 800. 886.0867



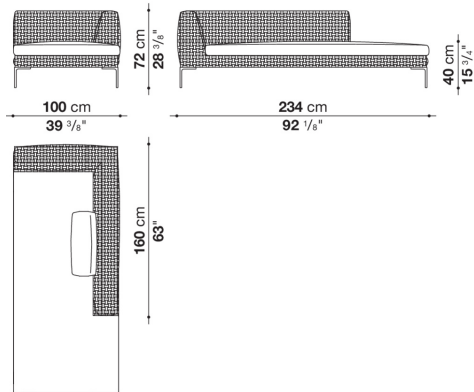
CHO160LD



CHO234LS



CHO234LD



CONTEXT

ENQUIRIES
info@contextgallery.com

Tel. 404. 477. 3301
Tel. 800. 886.0867

contextgallery.com