
Charles Large

SOFAS

2003

Antonio Citterio

CONTEXT

ENQUIRIES
info@contextgallery.com
Tel. 404. 477. 3301
Tel. 800. 886.0867
contextgallery.com



Description

The Charles Large modular sofa is an exceptionally comfortable seat with a fabric or leather cover. Airy and light in shape, it develops the idea of the sofa as a welcoming shelter where you can also lie down. The project reinterprets and enriches the Charles system, a long-standing best seller of B&B Italia, with a version with a wider depth. The project's striking features remain the essential design of the die-cast aluminium feet in the shape of an inverted "L", the single seat cushion, and the free back cushions.

Technical information

Internal frame

tubular steel and steel profiles

Internal frame upholstery

Bayfit® flexible cold shaped polyurethane foam, polyester fibre cover

Seat cushion upholstery (home)

shaped polyurethane of different density, sterilized down, polyester fibre cover

Seat cushion upholstery (public spaces)

shaped polyurethane of different density, polyester fibre, polyester fibre cover

Back cushion (CH48_C-CH72_C)

polyester fibre, box style typology

Feet

die-cast aluminium

Ferrules

thermoplastic material

Cover

fabric or leather

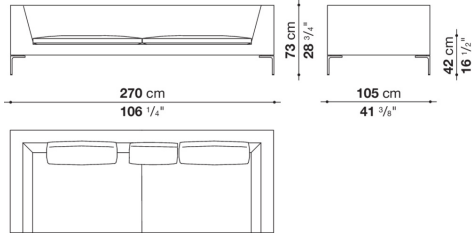
CONTEXT

ENQUIRIES
info@contextgallery.com

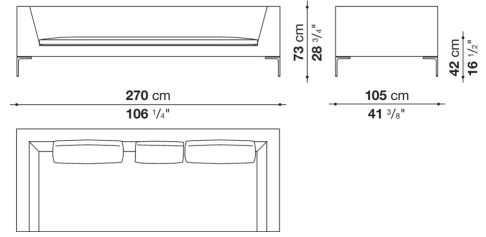
Tel. 404. 477. 3301
Tel. 800. 886.0867

Technical drawings

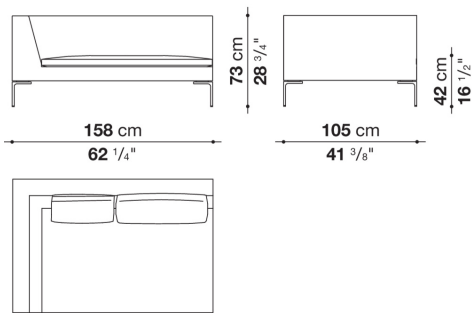
CHL270



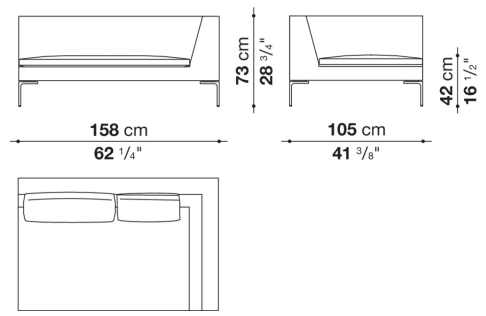
CHL270_1



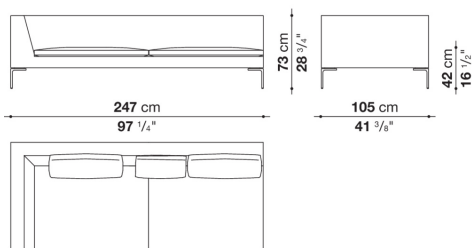
CHL158S



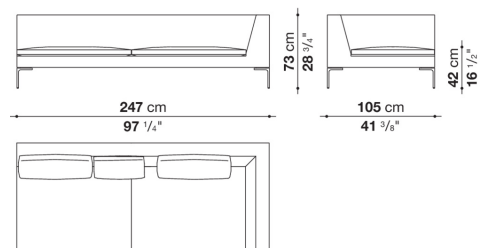
CHL158D



CHL247S

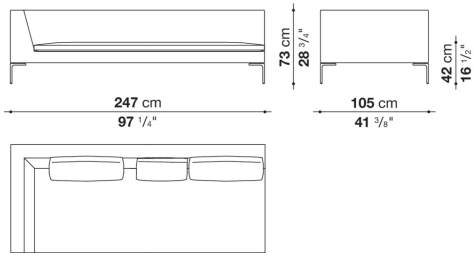


CHL247D

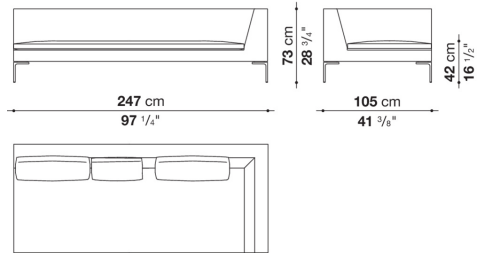


CONTEXT

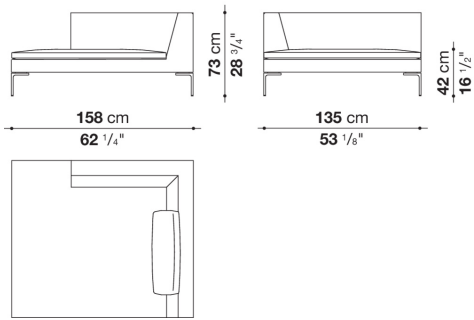
CHL247S_1



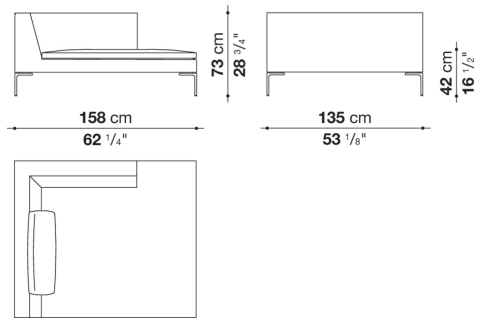
CHL247D_1



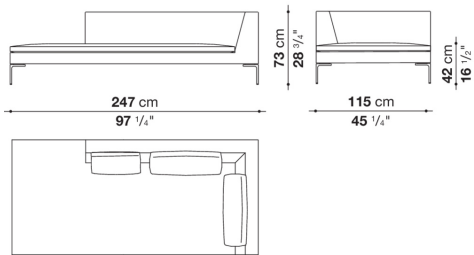
CHL135LS



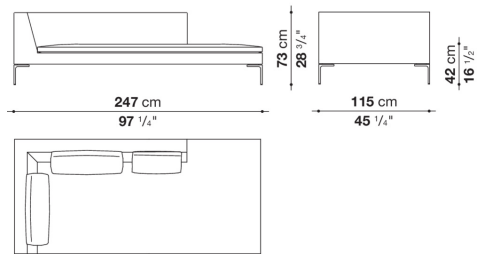
CHL135LD



CHL247LS_1



CHL247LD_1



CONTEXT

CONTEXT

ENQUIRIES
info@contextgallery.com

Tel. 404. 477. 3301
Tel. 800. 886.0867