

---

# Charlotte

CHAIRS

2015

Antonio Citterio

**CONTEXT**

ENQUIRIES  
info@contextgallery.com  
Tel. 404.477.3301  
Tel. 800.886.0867  
contextgallery.com



## Description

---

Charlotte by Antonio Citterio is a tribute to lightness. The shell is completely covered, but the frame profile is visible on the chair side, thus highlighting the line of the seat. The cover is in raw cut full grain leather in different colours. The frame is available in a series of different finishes that emphasize it or blend it.

## Technical information

---

**Shell**

fiberglass reinforced polyamide

**Shell upholstery**

Bayfit® flexible cold shaped polyurethane foam

**Ferrules**

plastic material

**Additional ferrules**

felt and plastic material

**Cover**

thick leather

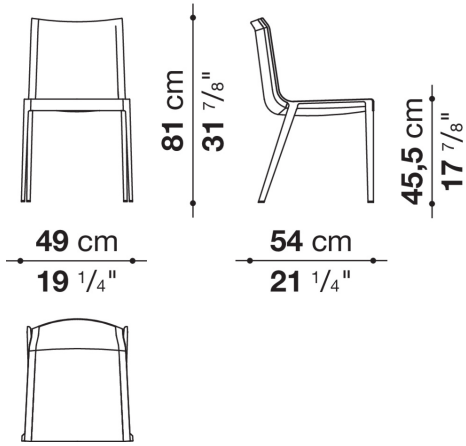
**CONTEXT**

ENQUIRIES  
info@contextgallery.com

Tel. 404. 477. 3301  
Tel. 800. 886.0867

# Technical drawings

## CT49N



## CONTEXT

ENQUIRIES  
info@contextgallery.com

Tel. 404. 477. 3301  
Tel. 800. 886.0867