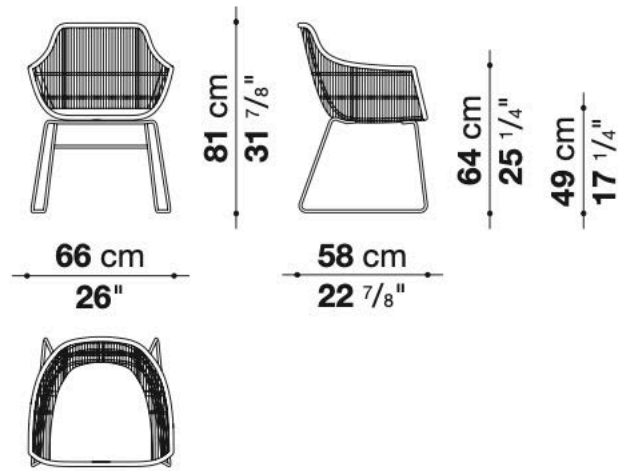


Crinoline

DESIGNED BY PATRICIA URQUIOLA

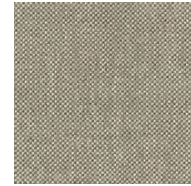
The Crinoline chairs and stools are characterised by a sophisticated polyethylene fibre interlacing with a surprisingly natural texture. The chairs are available in two versions: with a woven backrest combined with a bright stainless steel base and a fabric upholstered seat; or with an aluminium frame that supports the curved seat and back, as if to create an entirely interwoven double shell silhouette. The stools, in two heights, have a woven back, a bright stainless steel base and a fabric upholstered seat.



Armchair
Agate 287, Tortora
Frame

CONTEXT GALLERY

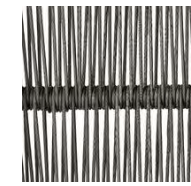
ENQUIRIES
info@contextgallery.com
Tel. 404. 477. 3301
Tel. 800. 886.0867
contextgallery.com



**Seat & Back
cushion:
Agate 287**



**Seat & Back
cushion:
Eos 280**



**Frame:
Tortora Frame**

