

Crinoline

CHAIRS

2008

Patricia Urquiola

CONTEXT

ENQUIRIES
info@contextgallery.com
Tel. 404. 477. 3301
Tel. 800. 886.0867
contextgallery.com



Description

The Crinoline chairs and stools are characterised by a sophisticated polyethylene fibre interlacing with a surprisingly natural texture. The chairs are available in two versions: with a woven backrest combined with a bright stainless steel base and a fabric upholstered seat; or with an aluminium frame that supports the curved seat and back, as if to create an entirely interwoven double shell silhouette. The stools, in two heights, have a woven back, a bright stainless steel base and a fabric upholstered seat.

Technical information

Base-frame

stainless steel or aluminium with polyester powder painting

Seat cushion/Seat and back cushion

shaped polyurethane, cover in water repellent polyester fibre

Interlacing

polyethylene fibre

Ferrules

thermoplastic material

Waterproof cover cloth

PES fabric coated on one side in PU

Cover

fabric in limited categories

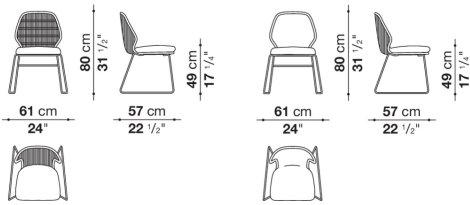
CONTEXT

ENQUIRIES
info@contextgallery.com

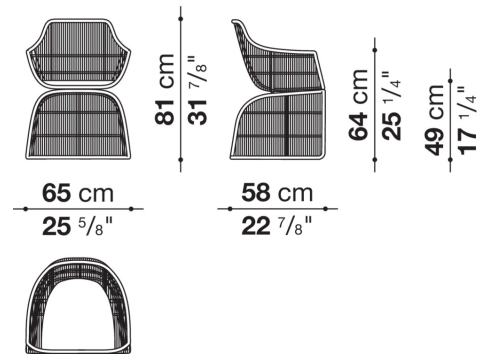
Tel. 404. 477. 3301
Tel. 800. 886.0867

Technical drawings

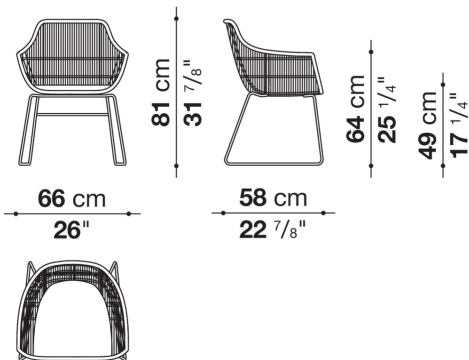
C1PF



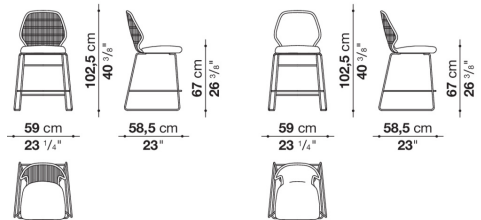
C2P



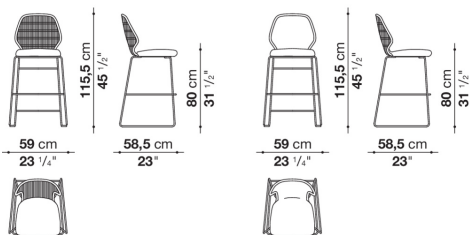
C2PF



C7PF



C6PF



CONTEXT

ENQUIRIES
info@contextgallery.com

Tel. 404. 477. 3301
Tel. 800. 886.0867

contextgallery.com