

Crinoline

ARMCHAIRS

2008

Patricia Urquiola

CONTEXT

ENQUIRIES
info@contextgallery.com
Tel. 404. 477. 3301
Tel. 800. 886.0867
contextgallery.com



Description

With its enveloping, feminine lines, Crinoline is a series of outdoor seats whose very name echoes romantic nineteenth-century ladies' skirts. The armchair with a high backrest is characterised by a wide hollow base, also echoed in the seat and in the curvature of the back. It comes in two versions: with a polyethylene fibre interlacing or in two colours of abaca for base and seat. The backrest of high armchair is made even more precious and romantic by a floral interlacing motif. The small armchair is characterised by a curved double shell silhouette with polyethylene fibre interlacing. The seat cushion is upholstered in a wide range of outdoor fabrics. The Crinoline series also includes small armchairs, chairs and stools.

Technical information

Seat and back frame

aluminium with polyester powder painting

Seat cushion/Seat and back cushion

shaped polyurethane, cover in water repellent polyester fibre

Seat cushion (C5P-C5P_FL-C5C)

shaped polyurethane, cover in water repellent polyester fibre (with heat-sealed ribbon)

Interlacing

polyethylene fibre or abaca

Ferrules

thermoplastic material

Waterproof cover cloth

PES fabric coated on one side in PU

Cover

fabric in limited categories

CONTEXT

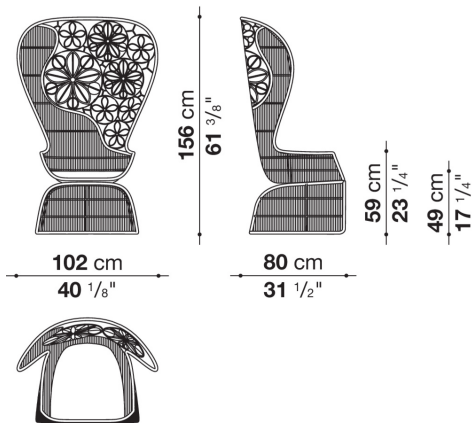
ENQUIRIES
info@contextgallery.com

Tel. 404. 477. 3301
Tel. 800. 886.0867

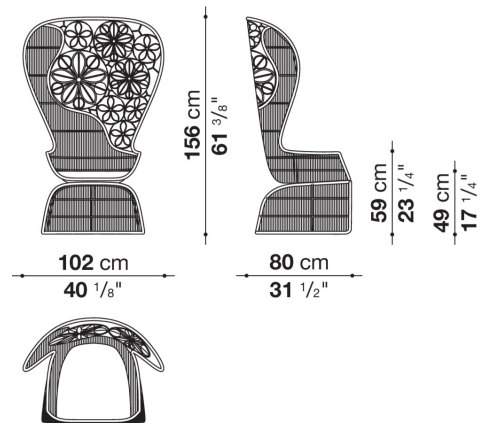
contextgallery.com

Technical drawings

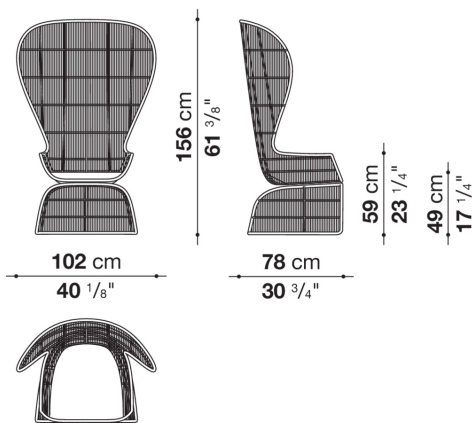
C5C



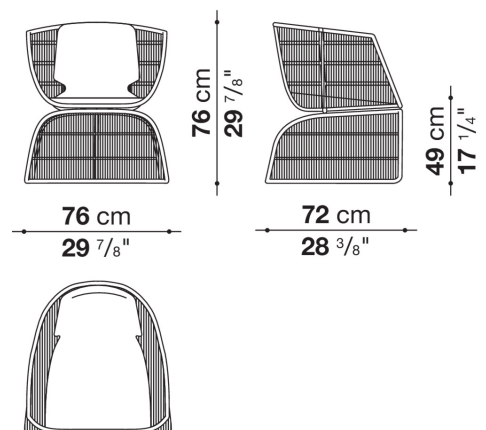
C5P_FL



C5P



C3P



CONTEXT

ENQUIRIES
info@contextgallery.com

Tel. 404. 477. 3301
 Tel. 800. 886.0867